

## COMPACT FLUORESCENT LAMP

FE153-13S Spiral



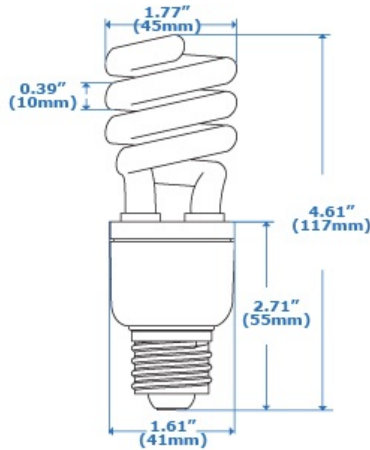
available packaging



download pdf



print this page



### Visual Color Temp.



### Feature

- Long life, lasts 10 times longer than a standard incandescent lamp
- Up to 75% energy savings
- Excellent color rendering and light distribution
- 2700K color temperature, the closest to incandescent light
- Lower maintenance and labor costs for lamp replacements
- More compact with the highest lumen efficiency
- Flicker free, instant start
- Replaces the Incandescent 60W
- One year warranty in commercial use / Two year warranty in residential use

### Applications

- General Lighting
- Ambience Lighting

### Usages

- Enclosed Outdoor
- Table Lamp
- Floor Lamp
- Open Indoor
- Enclosed Ceiling
- Work Area
- Fan

Type	Watts	Incandescent Equivalent	Rated I/P Voltage	Initial Lumens	CRI	MOL	MOD	Base	Average Life
Spiral	13W	60W	120V	900LM	≥80	4.61"	1.77"	E-26	10000HRS