



Energetic Lighting's Adjustable Wall Pack Series is a true answer to complex site lighting issues found in Office and Educational complexes, Hospital campus, and other security lighting situations. Featuring a NEMA 5Hx4V (Type3/2) beam; and with multiple aiming positions, each fixture can be tuned to best light a given area. With a 92% transmission efficient PC lens, light loss is minimal while avoiding UV yellowing. The isolated driver compartment and Light Engine helps ensure cooler operation for the life of the fixture. Stainless Steel fasteners, polyester powder coating, and IP65 level sealing ensure great weatherability and long service.

Features

- Integral J-Box body
- Multi-angle aiming positions
- Suitable for wet location use
- Heavy duty die-cast housing
- Matte bronze color finish
- Dusk to dawn photocontrol standard

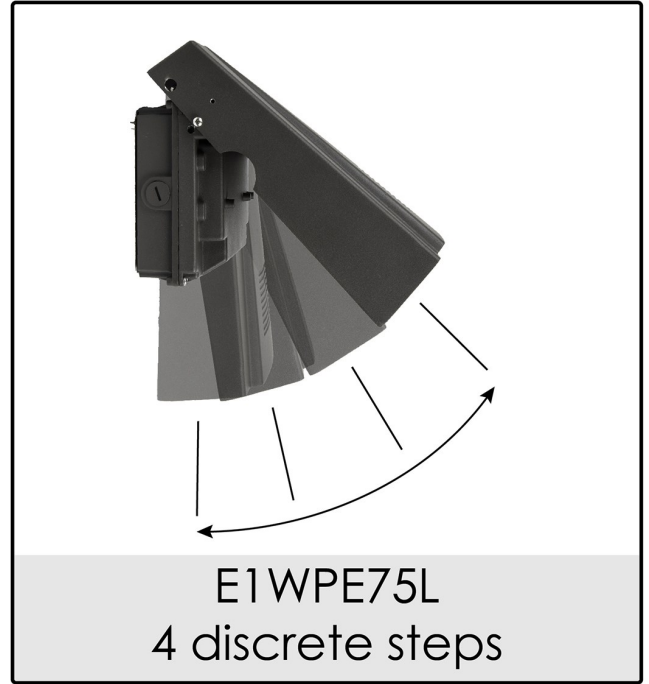
Applications

- Perimeter security lighting
- Office and government buildings
- Hospitals
- Hardscape
- Building facade
- Schools

Specification

Order Number	70056	70058	70060
Model Number	E1WPE30L-750	E1WPE50L-750	E1WPE75L-750
Configuration	with Photocell	with Photocell	with Photocell
Body Color/Finish	Bronze	Bronze	Bronze
Beam Angle	100x60°	100x60°	100x60°
Optical Distribution	Type III / II	Type III / II	Type III / II
Lumen Output	3450 LM	5700 LM	9000 LM
Luminous Efficacy	115 LM/W	114 LM/W	120 LM/W
Input Power	30 W	50 W	75 W
Input Voltage	120-277 Vac	120-277 Vac	120-277 Vac
Power Factor	0.91	0.96	0.96
THD	0.12	0.19	0.14
Color Temp (CCT)	5000 K	5000 K	5000 K
Color Rend (CRI)	70	70	70
Lifetime Rating	50000 hours	50000 hours	50000 hours
Warranty	5 Years	5 Years	5 Years
Dimmability	On/Off	On/Off	On/Off
Operating Temp	-40 to 104 (°F)	-40 to 104 (°F)	-40 to 104 (°F)
Environment	Wet Location	Wet Location	Wet Location
DLC	TBA	TBA	TBA
Safety Cert	ETL	ETL	ETL
Weight	3.7 LBS	3.7 LBS	7.1 LBS
Dimensions	8.5"x7.0"x4.0" (min)	8.5"x7.0"x4.0" (min)	11.0"x10.0"x4.5" (min)

Supplementals Information



Dimensions and Packaging Info

Model Number	E1WPE30L-750	E1WPE50L-750	E1WPE75L-750
Item UPC			
Case UPC			
Master Carton UPC			
Item(s) per pack			
packs per case			
Case per Master			
Item weight			
Case weight			
Master Weight			
Item pack dimensions			
Case dimensions			
Master dimensions			