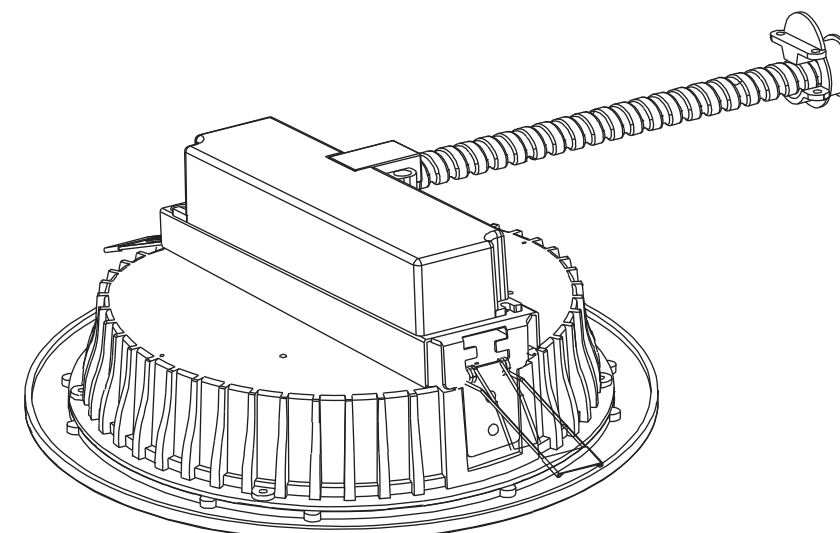




# RECESSED DOWNLIGHT

8 Inch

*Installation Instructions*

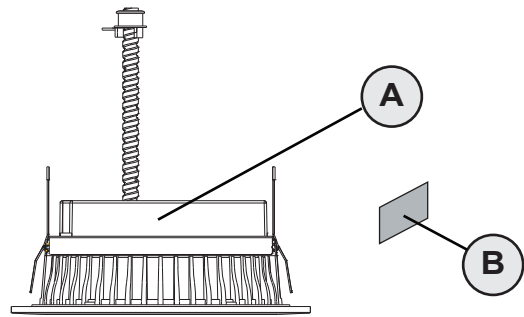


**ATTACH YOUR RECEIPT HERE**

Item Number \_\_\_\_\_ Purchase Date \_\_\_\_\_

Questions, problems, missing parts? Before returning to your retailer, call our customer service department at 1-866-492-6566.

## PACKAGE CONTENTS



Part	Item Name	Qty.
A	Downlight Fixture	1
B	Retrofit Warning Label	1

## SAFETY INFORMATION

Please read and understand this entire manual before attempting to assemble, operate or install the product. Failure to do so could lead to electric shock, fire or other injuries that could be hazardous or even fatal.

- Be sure the electricity to the wires you are working on is shut off. Either remove the fuse or turn off the circuit breaker.
- Changes or modifications not expressly approved by the party responsible for compliance could void the user's authority to operate the equipment.

### CAUTION:

- The fixture body is one piece. Do not disassemble it.
- This unit is suitable for damp location installation.
- Suitable for Type IC and Non-IC recessed luminaires with through-branch wiring marked "Max. 8 or 12 AWG conductors" ceiling recessed luminaire with existing trim removed.

### NOTICE

- This device complies with Part 15 of the FCC Rules. Operation is subject to the following two conditions: (1) This device may not cause harmful interference, and (2) this device must accept any interference received, including interference that may cause undesired operation.
- This equipment has been tested and found to comply with the limits for a Class B digital device, pursuant to part 15 of the FCC Rules. These limits are designed to provide reasonable protection against harmful interference in a residential installation. This equipment generates, uses and can radiate radio frequency energy and, if not installed and used in accordance with the instructions, may cause harmful interference to radio or television reception, which can be determined by turning the equipment off and on. The user is encouraged to try to correct the interference by one or more of the following measures:
  - Reorient or relocate the receiving antenna.
  - Increase the separation between the equipment and the receiver.
  - Connect the equipment into an outlet on a circuit different from that to which the receiver is connected.
  - Consult the dealer or an experienced radio/TV technician for help.

## SAFETY INFORMATION

### WARNING

- Risk of fire or electric shock. LED Retrofit Kit installation requires knowledge of luminaires electrical systems. If not qualified, do not attempt installation. Contact a qualified electrician.
- Risk of fire or electric shock. Install this kit only in the luminaires that have the construction features and dimensions shown in the photographs and/or drawings and where the input rating of the retrofit kit does not exceed the input rating of the luminaire.
- Disconnect power at fuse or circuit breaker before installing or servicing.
- No user serviceable parts inside. To avoid electrical shock, do not disassemble product.
  - This product is not intended for use in emergency light fixtures or exit signs. Not for use where exposed directly to the weather or water.
  - This product contains a chemical known to the state of California to cause cancer, birth defects or other reproductive harm.
- To prevent wiring damage or abrasion, do not expose wiring to edges of sheet metal or other sharp objects.
- Do not make or alter any open holes in an enclosure of wiring or electrical components during kit installation.
- This fixture is suitable for dimming only when connected to 0-10v dimming systems.

### PREPARATION

Before beginning assembly of product, make sure all parts are present. Compare parts with package contents list and hardware contents list. If any part is missing or damaged, do not attempt to assemble the product.

**Estimated Assembly Time:** 5 minutes

No tools are required for assembly.

## INSTALLATION INSTRUCTIONS

1. Make sure the power is turned off at the source the location where the fixture(s) will be installed.

The downlight is compatible with 8-inch openings, installed directly into the mounting surface after removal of trim and reflector from the existing 8-in downlight housing.

Apply the Lamp replacement instructions label (B) on the original fixture housing, this label is to provide proper information for lamp replacement when necessary.

2. Connect the supply lines from the fixture to ceiling junction box, connecting the black, white, and green leads for power.

**Optional:** If dimming will be utilized, connect the purple and gray wires to an appropriate 0-10v DC dimming source. Otherwise, the purple and gray wires can be left unconnected for operation of the downlight at the vfull 100% light output.

**Caution:** Do not connect the purple and gray dimming leads to line voltage.

3. Before inserting the fixture into the mounting surface opening, fold up the two spring mounting tabs and release as the fixture is seated into the mounting surface.

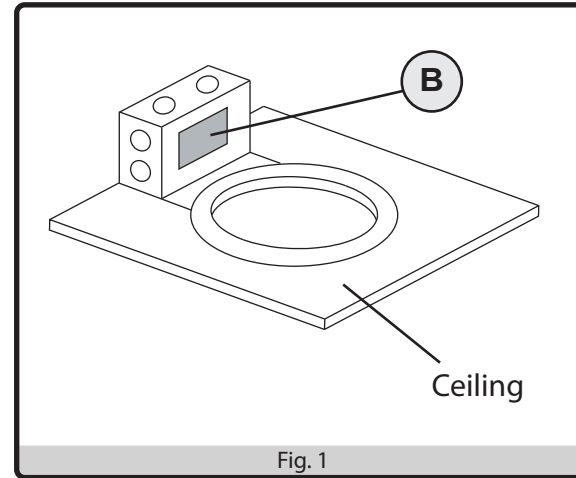


Fig. 1

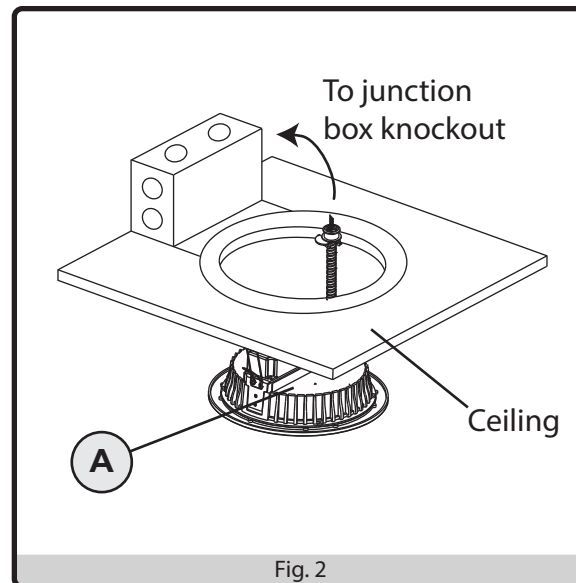


Fig. 2

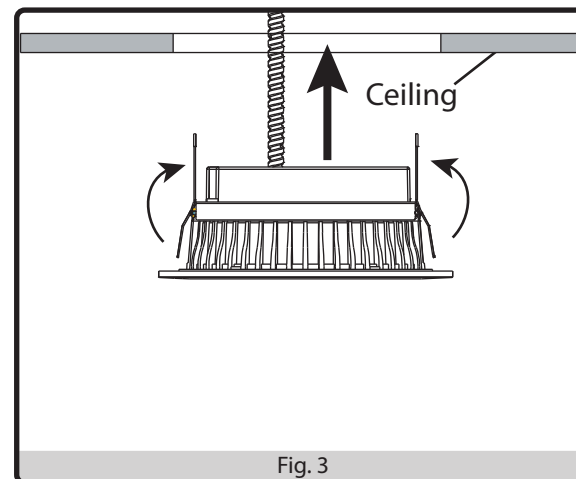
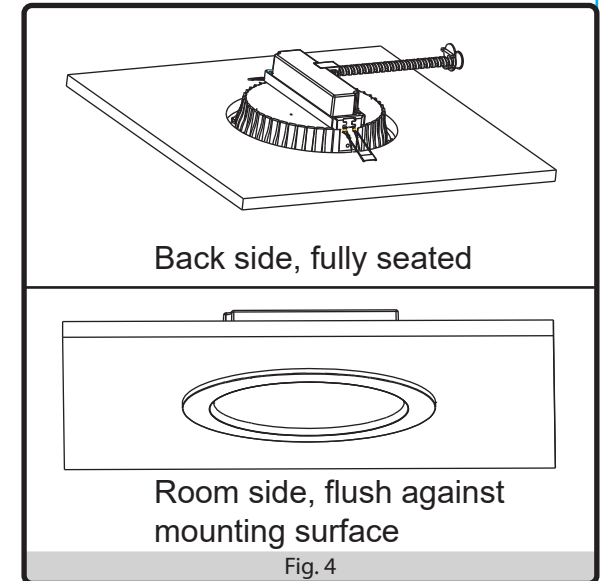


Fig. 3

## INSTALLATION INSTRUCTIONS

4. Ensure that the spring mounting tabs have securely mounted the fixture so that the front trim is flush against the mounting surface.



## CARE AND MAINTENANCE

Clean with a mild, non-abrasive glass cleaner and soft cloth. Do NOT use solvents or cleaners containing abrasive agents. When cleaning the fixture, make sure the power is turned off, and any liquid spray should be applied to the cleaning cloth and not sprayed directly onto the fixture itself.

## TROUBLESHOOTING

Problem	Possible Solution	Corrective Action
Fixture does not light.	1. Power is off. 2. Incorrect wire connection. 3. Defective wall switch.	1. Check circuit breaker or wall switch. 2. Check wire splices. 3. Replace switch.
Circuit breaker trips when light is turned on.	Crossed wires or power wire is grounded out.	Verify wires are correctly connected.

## WARRANTY

This fixture is warranted to perform free from defects for five (5) years. If it fails to do so, you may return it with proof of purchase to 13445 12th St., Chino, CA 91710 for replacement.