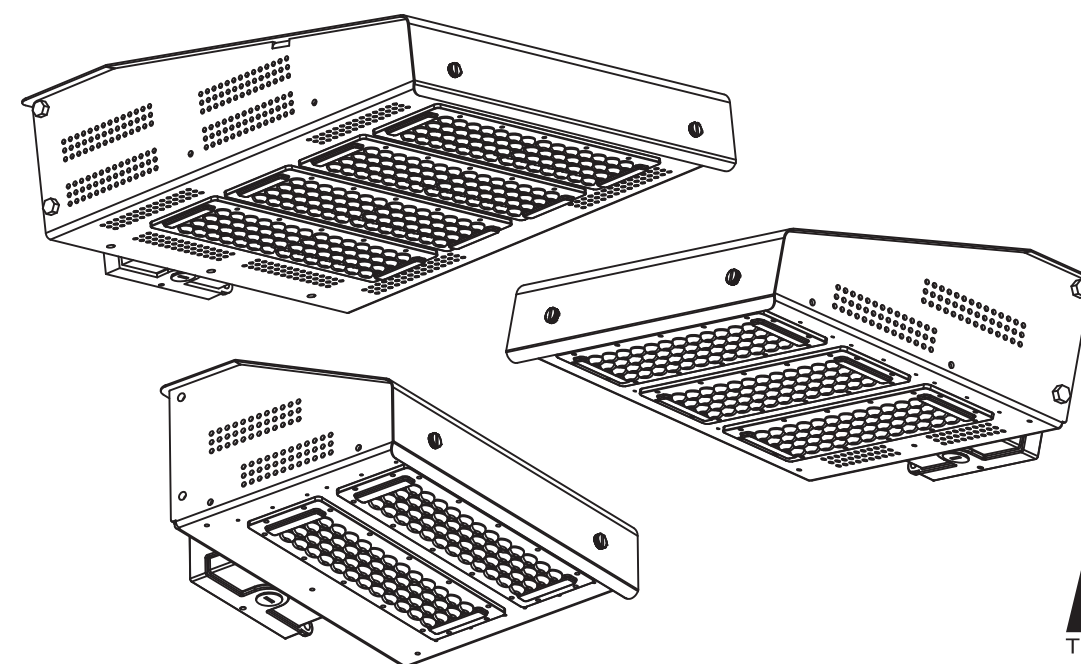




LED Shoebox Fixture

Installation Instructions

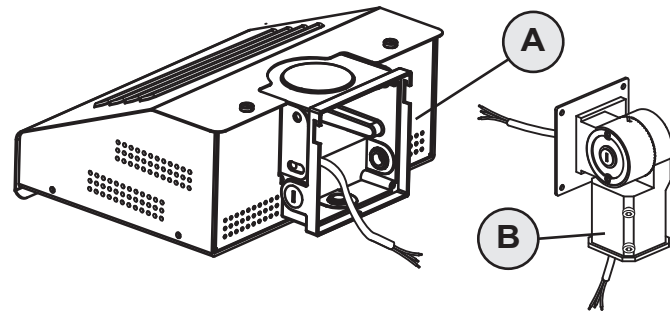


ATTACH YOUR RECEIPT HERE

Item Number _____ Purchase Date _____

Questions, problems, missing parts? Before returning to your retailer, call our customer service department at 1-866-492-6566.

PACKAGE CONTENTS



Part	Item Name	Qty.
A	Fixture	1
B	Mounting Adapter (packaged separately)	1

SAFETY INFORMATION

Please read and understand this entire manual before attempting to assemble, operate or install the product. Failure to do so could lead to electric shock, fire or other injuries that could be hazardous or even fatal.

- Be sure the electricity to the wires you are working on is shut off. Either remove the fuse or turn off the circuit breaker.
- Changes or modifications not expressly approved by the party responsible for compliance could void the user's authority to operate the equipment.
- This product must be installed in accordance with local, state and national electrical codes.
- Installation work shall be completed by a licensed installer that is familiar with the construction and operations of the product.

CAUTION:

- The fixture body is one piece. Do not disassemble it.

NOTICE

- This device complies with Part 15 of the FCC Rules. Operation is subject to the following two conditions: (1) This device may not cause harmful interference, and (2) this device must accept any interference received, including interference that may cause undesired operation.
- This equipment has been tested and found to comply with the limits for a Class B digital device, pursuant to part 15 of the FCC Rules. These limits are designed to provide reasonable protection against harmful interference in a residential installation. This equipment generates, uses and can radiate radio frequency energy and, if not installed and used in accordance with the instructions, may cause harmful interference to radio or television reception, which can be determined by turning the equipment off and on. The user is encouraged to try to correct the interference by one or more of the following measures:
 - Reorient or relocate the receiving antenna.
 - Increase the separation between the equipment and the receiver.
 - Connect the equipment into an outlet on a circuit different from that to which the receiver is connected.
 - Consult the dealer or an experienced radio/TV technician for help.
- This Class B digital apparatus complies with Canadian ICES-003.

INSTALLATION INSTRUCTIONS

Round profile post mount installation:

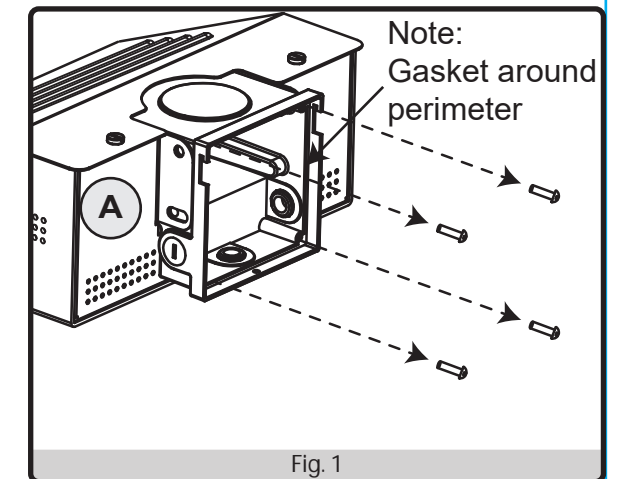
Mounting hardware used:



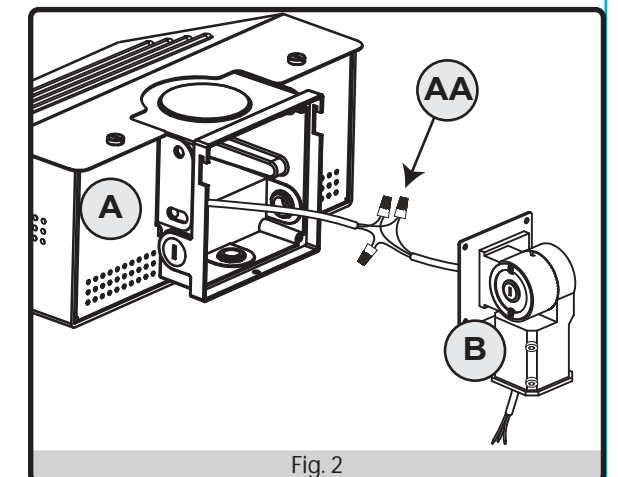
Wire Nut
Qty. 3

Mounting Adapter
Screws
Qty. 4

1. Remove the 4 screws located on the back of the fixture (A) at the entrance to the wiring compartment. Note that the gasket secured against the perimeter needs to be retained for proper mounting adapter (B) re-assembly.

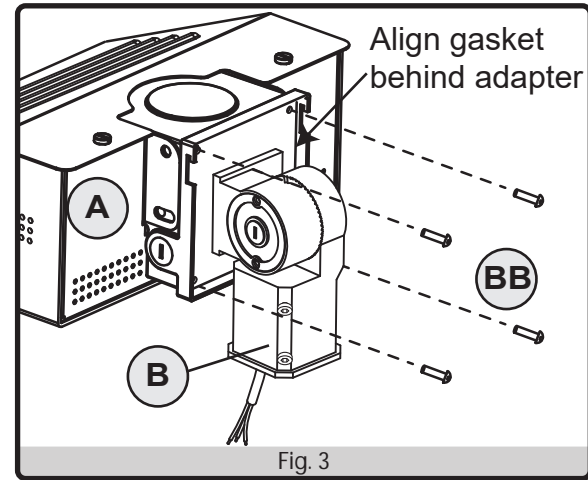


2. Connect the wires from the fixture (A) to the wires on the mounting adapter (B), black to black, white to white, and green to green, securing each with a wire nut (AA).

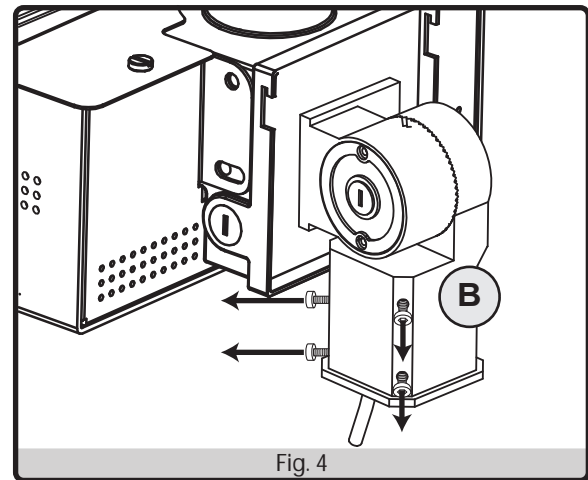


INSTALLATION INSTRUCTIONS

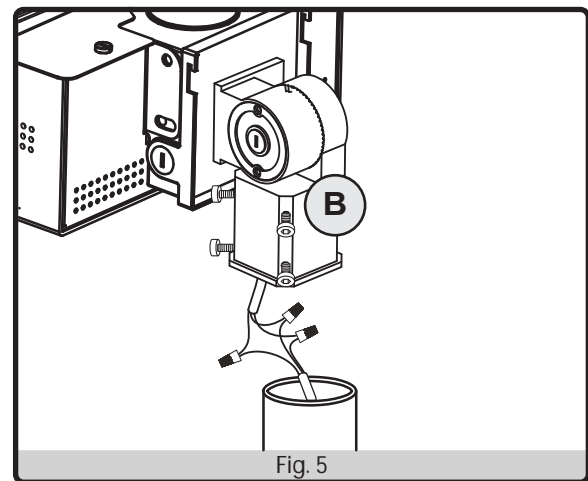
3. Tuck the wires and connectors into the wiring compartment of fixture (A), check that the gasket around the compartment perimeter is properly aligned while closing up the opening with the plate on the mounting adapter (B). Secure the mounting adapter with the four mounting adapter screws (BB).



4. Back out the 4 lock screws on the base of the mounting adapter (B) just enough to clear the diameter of the mounting pole.

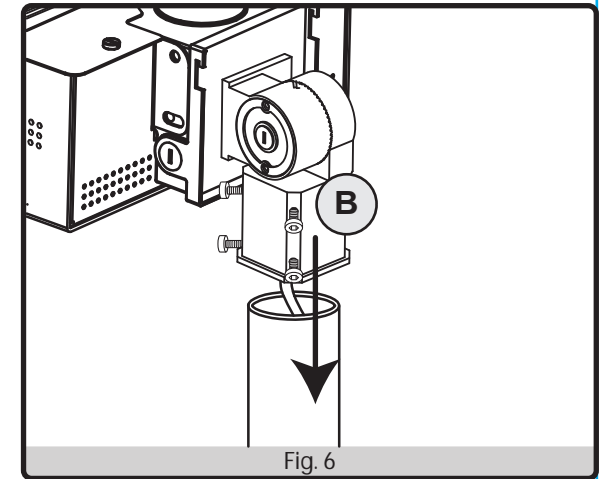


5. Connect the supply wires to the fixture wires extending from the mounting adapter (B) base.

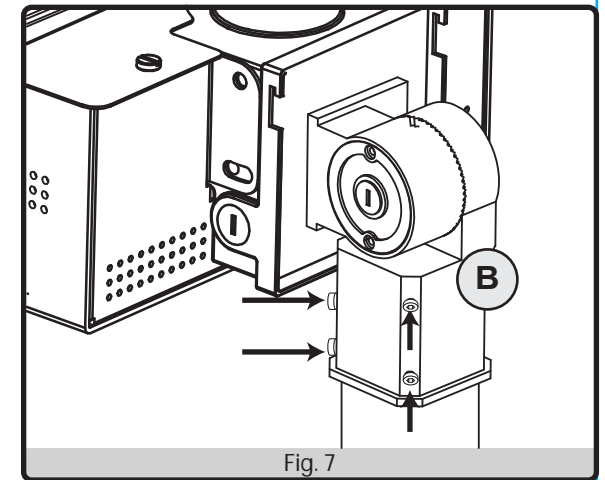


INSTALLATION INSTRUCTIONS

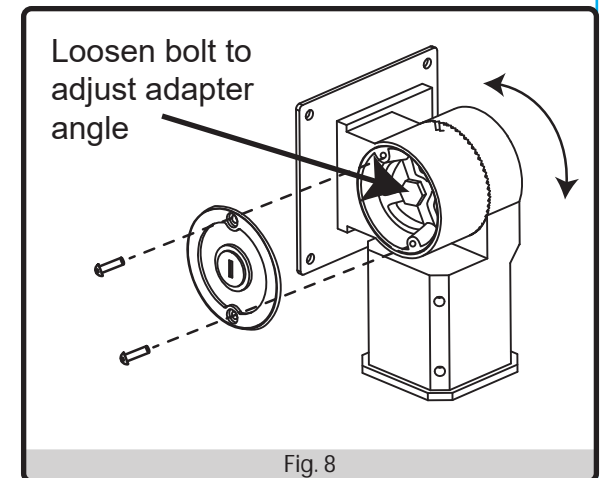
6. Slip the mounting adapter (B) over the post, ensure that wires are not pinched between the post and adapter and that the post is seated fully inside the adapter (B).



7. Secure the fixture to the post by tightening all four of the lock screws on the base of the mounting adapter (B).



8. **Optional:** If the figure head angle needs to be adjusted, open the mounting adapter cover by removing two screws to reveal the adjustment bolt within. Loosen the single bolt until the arm can turn, once desired angle has been set, torque down the adjustment bolt to set the arm angle, replace the cover and secure with the two screws (ensure that the gasket under the cap is properly aligned).



CARE AND MAINTENANCE

Clean with a mild, non-abrasive glass cleaner and soft cloth. Do NOT use solvents or cleaners containing abrasive agents. When cleaning the fixture, make sure the power is turned off, and any liquid spray should be applied to the cleaning cloth and not sprayed directly onto the fixture itself.

TROUBLESHOOTING

Problem	Possible Solution	Corrective Action
Fixture does not light.	1. Power is off. 2. Incorrect wire connection. 3. Defective wall switch.	1. Check circuit breaker or wall switch. 2. Check wire splices. 3. Replace switch.
Circuit breaker trips when light is turned on.	Crossed wires or power wire is grounded out.	Verify wires are correctly connected.

WARRANTY

This fixture is warranted to perform free from defects for three years. If it fails to do so, you may return it with proof of purchase to 13445 12th St., Chino, CA 91710 for replacement.

