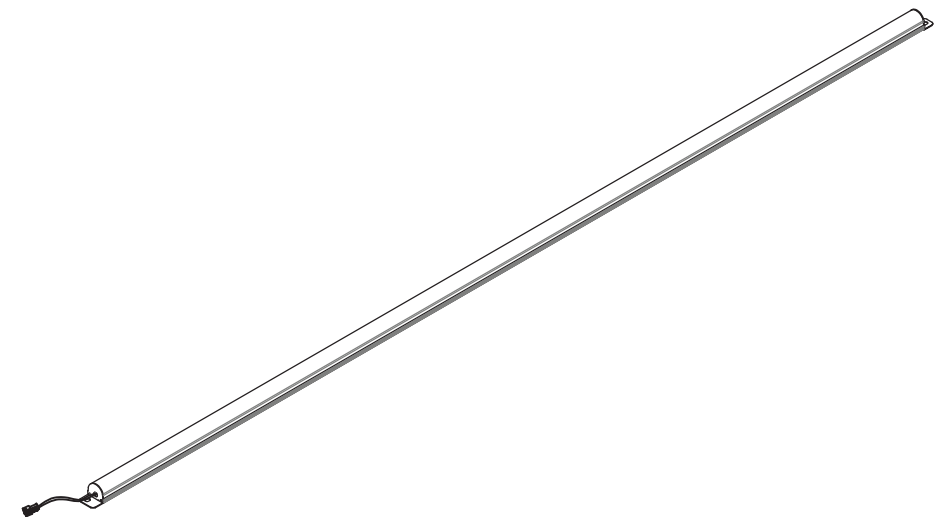


LED Magnetic Striplight

Installation Instructions

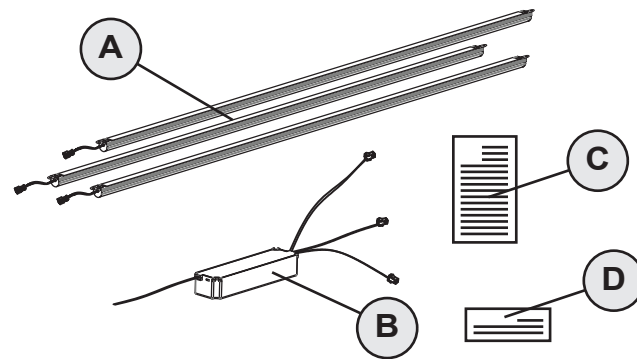


ATTACH YOUR RECEIPT HERE

Item Number _____ Purchase Date _____

Questions, problems, missing parts? Before returning to your retailer, call our customer service department at 1-866-492-6566.

PACKAGE CONTENTS



Part	Item Name	Qty.
A	LED Magnetic Strips	1,2,or 3
B	External Driver	1
C	Instruction manual	1
D	Caution Label	1

HARDWARE CONTENTS

AA



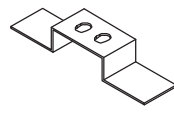
Self-Tapping Screw
Qty. 2 per driver
Qty. 2 per LED strip

BB



Wire Nut
Qty. 4

CC



(Optional)
Standoff Bracket
Qty. 2 per strip

DD



(Optional)
Screws for Standoff
Qty. 2 per strip

EE



(Optional)
Screw Anchor
Qty. 2 per strip

SAFETY INFORMATION

Please read and understand this entire manual before attempting to assemble, operate or install the product. Failure to do so could lead to electric shock, fire or other injuries that could be hazardous or even fatal.

- Be sure the electricity to the wires you are working on is shut off.
- Changes or modifications not expressly approved by the party responsible for compliance could void the user's authority to operate the equipment.
- This product must be installed in accordance with local, state and national electrical codes.
- Installation work shall be completed by a licensed installer that is familiar with the construction and operations of the product.

CAUTION:

- **WARNING** - Risk of fire or electric shock. Luminaire wiring and electrical parts may be damaged when drilling for installation of LED retrofit kit. Check for enclosed wiring and components.
- **WARNING** - Risk of fire or electric shock. LED Retrofit Kit installation requires knowledge of luminaires electrical systems. If not qualified, do not attempt installation. Contact a qualified electrician.
- **WARNING** - Risk of fire or electric shock. Install this kit only in luminaires that have the construction features and dimensions shown in the photographs and/or drawings and where the input rating of the retrofit kit does not exceed the input rating of the luminaire.
- Only those open holes indicated in the photographs and/or drawings may be made or altered as a result of kit installation. Do not leave any other open holes in an enclosure of wiring or electrical components.
- **WARNING** - To prevent wiring damage or abrasion, do not expose wiring to edges of sheet metal or other sharp objects.

SAFETY INFORMATION

CAUTION:

- This product is dimmable with 0-10v dimming systems only.
- This kit can be installed in fluorescent recessed troffer fixtures and striplight fixture housings, after disconnecting the ballast and removing all lamps.
- Please note, a maximum of 4 strips can be installed in a single 2'x4' recessed troffer fixture using 2 drivers, and a maximum of 2 strips can be installed in a 2-tube striplight fixture.
- Ensure that the following minimum lamp compartment volume is adequate in the intended fixture:

Model Number	Minimum Lamp Compartment Volume	Maximum number LED of strips
E1SL1M series	1200 mm x 300 mm x 30 mm	2
E1SL2M40D4 and E1SL2M30D4 series	1200 mm x 300 mm x 30 mm	4
E1SL3M series	1200 mm x 300 mm x 30 mm	6
E1SL2M16D2 series	600 mm x 300 mm x 30 mm	4

NOTICE:

- This device complies with Part 15 of the FCC Rules. Operation is subject to the following two conditions: (1) This device may not cause harmful interference, and (2) this device must accept any interference received, including interference that may cause undesired operation.
- This equipment has been tested and found to comply with the limits for a Class B digital device, pursuant to part 15 of the FCC Rules. These limits are designed to provide reasonable protection against harmful interference in a residential installation. This equipment generates, uses and can radiate radio frequency energy and, if not installed and used in accordance with the instructions, may cause harmful interference to radio or television reception, which can be determined by turning the equipment off and on. The user is encouraged to try to correct the interference by one or more of the following measures:
 - Reorient or relocate the receiving antenna.
 - Increase the separation between the equipment and the receiver.
 - Connect the equipment into an outlet on a circuit different from that to which the receiver is connected.
 - Consult the dealer or an experienced radio/TV technician for help.

INSTALLATION INSTRUCTIONS

Ensure that the power to the circuit being worked on is shut off by opening the breaker prior to beginning installation of this lighting kit.

1. Remove from the existing fixture any lens or louver, all existing lamps, ballast, and lampholder sockets, if applicable.

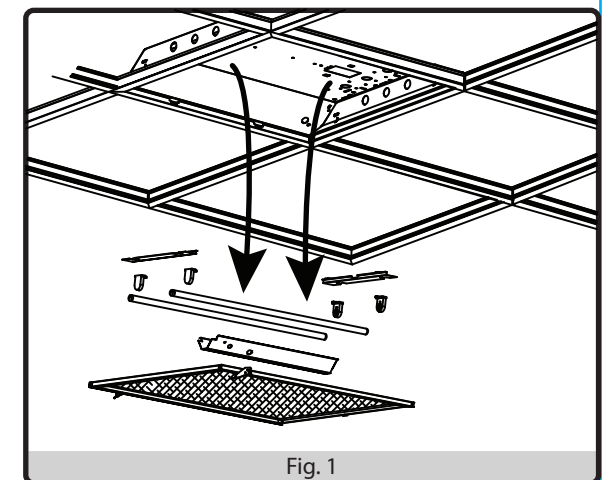
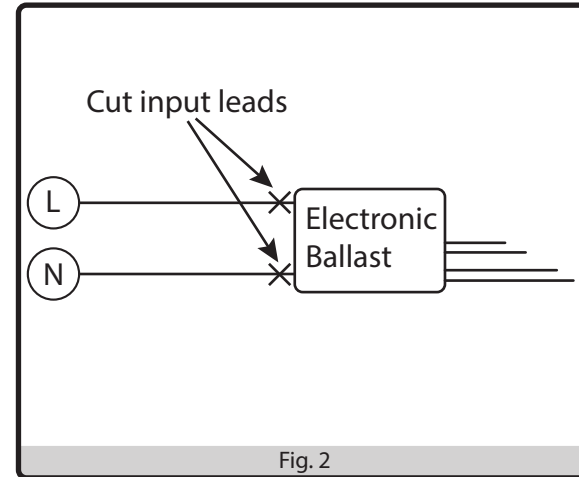


Fig. 1

INSTALLATION INSTRUCTIONS

- Cut the Line and Neutral wires leading into the existing ballast and leave enough length to make the connection reach the intended location of the LED external driver (B).

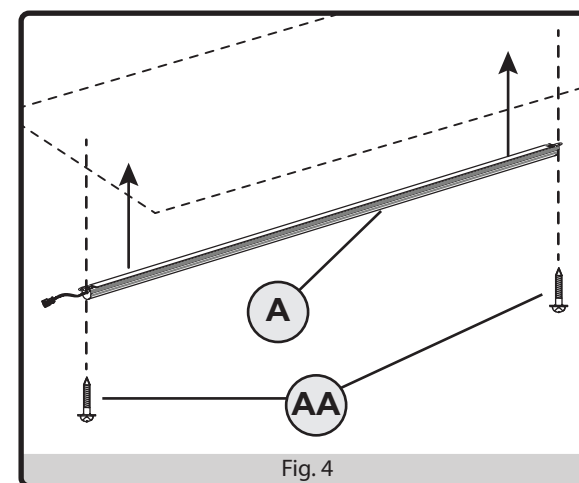
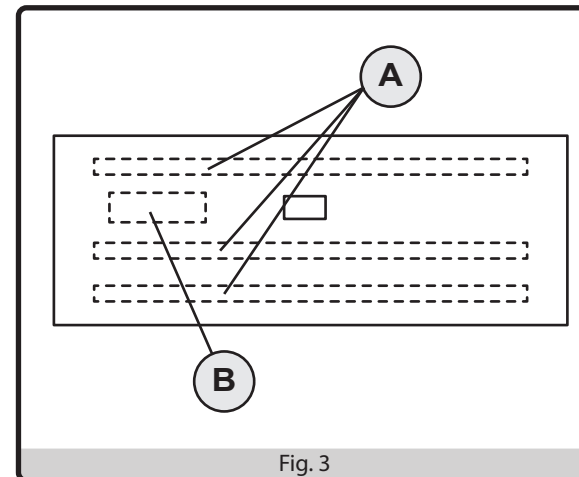


- Prior to installation of this kit, carefully plan out each LED magnetic strip (A) positioning and layout relative to the intended mounting location of the external driver (B). Route the input wires of the LED magnetic strip (A) to ensure that all input leads will be able to reach the external driver (B) without interference with host fixture structural parts. The LED magnetic strips will need to have contact with sufficient ferrous metal surface.

Depending on the kit, 1, 2, or 3 LED magnetic strips (A) may be provided.

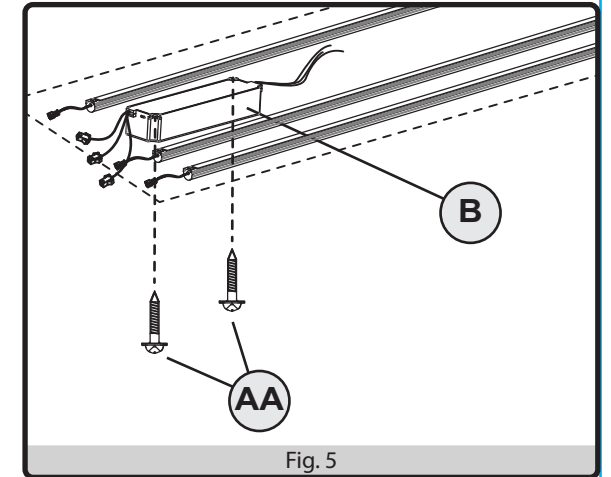
If obstructions on the mounting surface prevent the strips from seating flush against the surface, refer to step 10 below for an alternative mounting method.

- Attach the LED magnetic strips (A) to the intended mounting surface, secure each strip with 2 self-tapping screws (AA) at both ends. Check to ensure that no wires or building plumbing are located behind the screw locations. Optional screw anchors (EE) are provided for soft materials if needed.



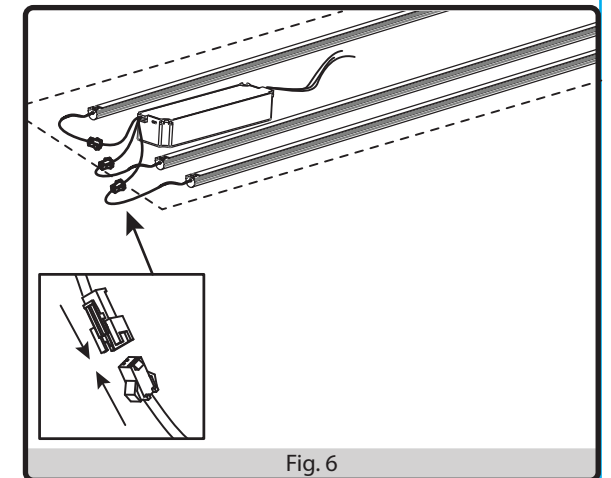
INSTALLATION INSTRUCTIONS

- Hold the external driver (B) up against the mounting surface and use a power drill with philips bit to secure the external driver (B) using two self-tapping screws (AA). Check to ensure that no wires or building plumbing are located behind the screw locations.



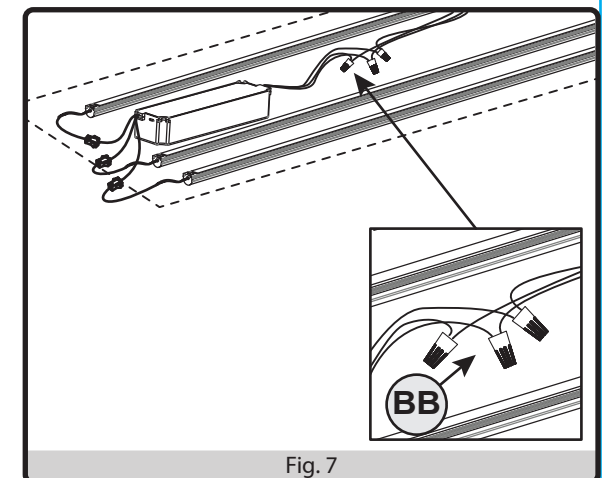
- Connect each input lead connector of the LED magnetic strip (A) to the output lead of the external driver (B).

CAUTION: Ensure that all available output connectors are used with its designated magnetic strip. Do not leave any output connectors open without a loaded strip.



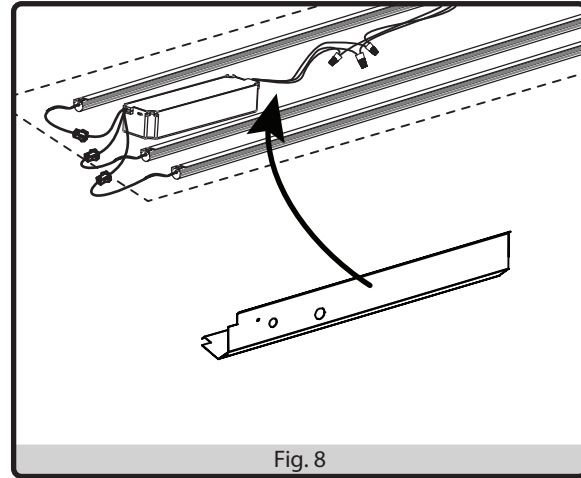
- Connect the fixture wires to the supply wires -- black to black, white to white, and green to copper/bare. **WARNING:** If there is no ground supply wire, stop installation and consult a qualified electrician.

Once wire connections are made, secure each with a wire nut.

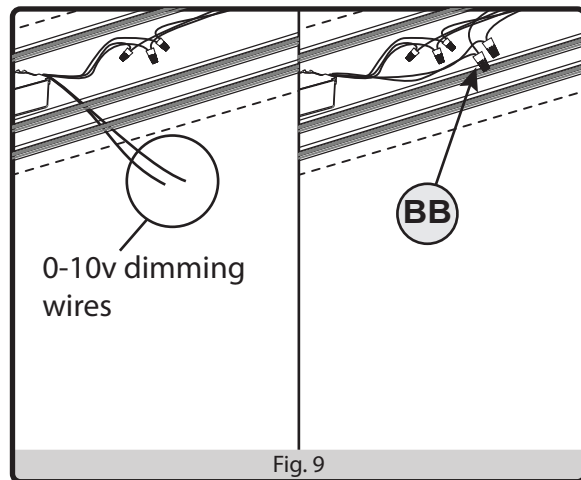


INSTALLATION INSTRUCTIONS

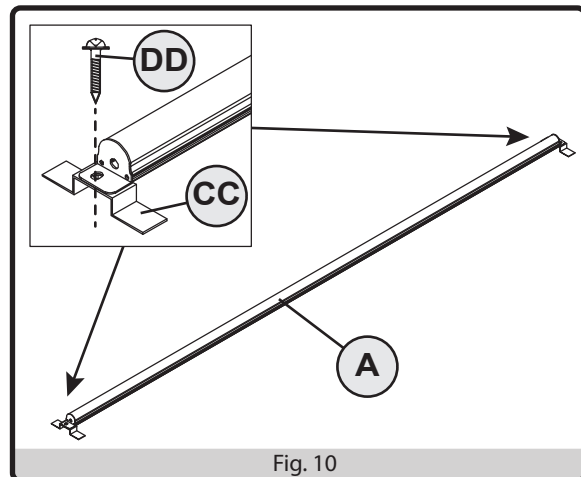
8. Replace any wiring compartment covers or housing pieces so that all wiring connections (wire nuts and quick disconnects) are tucked away from contact.



9. **Optional:** If dimming is desired and the building is supplied with appropriate 0-10v purple and gray dimming lines, make the connections to the respective purple and gray signal wires using wire nuts (BB). Otherwise, the dimming wires should be capped off if not to be used in installation.



10. **Optional Standoff brackets:** If the mounting surface does not allow the LED magnetic strips (A) to be seated flush due to surface obstructions, position a standoff bracket (CC) at both ends of each LED magnetic strip (A). Use the longer self-tapping screw for standoff (DD) to secure the LED magnetic strip (A) and standoff bracket (CC) together to the mounting surface. Note that the magnets should be used for positioning only, where final securement of the brackets and strips will require the use of screws.



CARE AND MAINTENANCE

Clean with a mild, non-abrasive glass cleaner and soft cloth. Do NOT use solvents or cleaners containing abrasive agents. When cleaning the fixture, make sure the power is turned off, and any liquid spray should be applied to the cleaning cloth and not sprayed directly onto the fixture itself.

TROUBLESHOOTING

Problem	Possible Solution	Corrective Action
Fixture does not light.	1. Power is off. 2. Incorrect wire connection. 3. Defective wall switch.	1. Check circuit breaker or wall switch. 2. Check wire splices. 3. Replace switch.
Circuit breaker trips when light is turned on.	Crossed wires or power wire is grounded out.	Verify wires are correctly connected.

WARRANTY

This fixture is warranted to perform free from defects for five (5) years. If it fails to do so, you may return it with proof of purchase to 13445 12th St., Chino, CA 91710 for replacement.