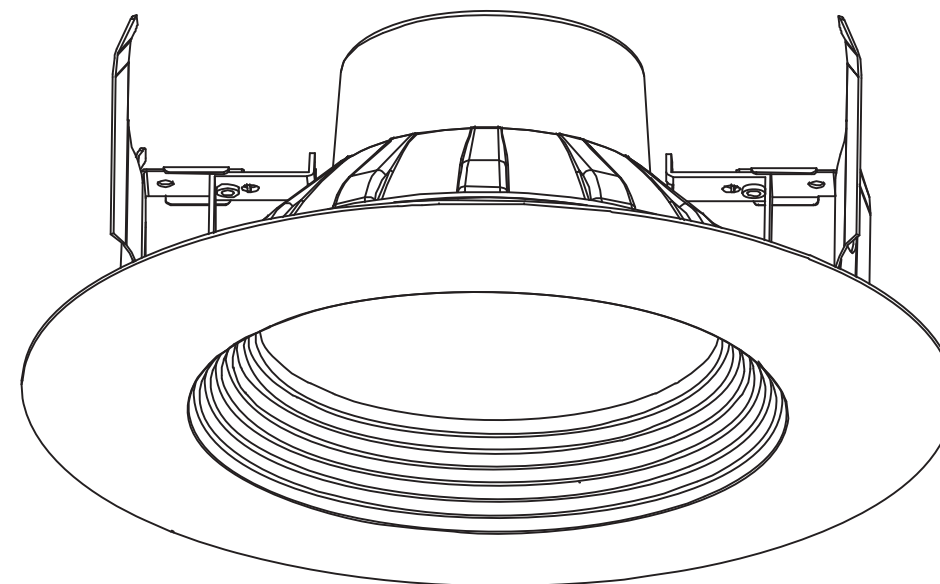




RECESSED DOWNLIGHT

6 Inch

Installation Instructions

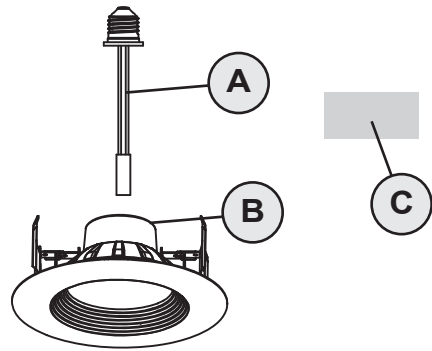


ATTACH YOUR RECEIPT HERE

Item Number _____ Purchase Date _____

Questions, problems, missing parts? Before returning to your retailer, call our customer service department at 1-866-492-6566.

PACKAGE CONTENTS



Part	Item Name	Qty.
A	Adapter	1
B	Lamp	1
C	Lamp Replacement Instruction Label	1

DIMMER COMPATIBILITY LIST

This downlight can be used with most dimmers to create your desired ambience with smooth dimming to 10% of full light levels.

Brand	Model
LUTRON	LG-600P
LUTRON	LG-600
LUTRON	LG-603P
LUTRON	S-600
LUTRON	DVCL-153P
LUTRON	MACL-153M
LUTRON	RRD-6NA
LUTRON	FS-5FH-DK
LUTRON	SCL-153P
LUTRON	AYCL-153P
LUTRON	CTCL-153P
LUTRON	TGCL-153PH
LUTRON	TG-600PH-WH

Brand	Model
LUTRON	DVWCL-153PH-WH
LUTRON	DVW-600PH-WH
LUTRON	MSCL-VP153MH
LUTRON	GTJ-250M
LUTRON	GT-250M
LUTRON	D-600PH-DK
LEVITON	6681
LEVITON	6631
LEVITON	IPL06
LEVITON	6672
LEVITON	NOM057
COOPER	S106P-LA-K
GP	LUXDM600-12

Visit www.energeticlighting.com for an updated dimmer compatibility list.

SAFETY INFORMATION

Please read and understand this entire manual before attempting to assemble, operate or install the product. Failure to do so could lead to electric shock, fire or other injuries that could be hazardous or even fatal.

- Be sure the electricity to the wires you are working on is shut off. Either remove the fuse or turn off the circuit breaker.
- Changes or modifications not expressly approved by the party responsible for compliance could void the user's authority to operate the equipment.

CAUTION:

- The fixture body is one piece. Do not disassemble it.
- This unit is intended for indoor use only.

SAFETY INFORMATION

NOTICE

- This device complies with Part 15 of the FCC Rules. Operation is subject to the following two conditions: (1) This device may not cause harmful interference, and (2) this device must accept any interference received, including interference that may cause undesired operation.
- Minimum Lamp Compartment Dimensions 5.51-in. (Diam) x 7.4-in. (H)
- This equipment has been tested and found to comply with the limits for a Class B digital device, pursuant to part 15 of the FCC Rules. These limits are designed to provide reasonable protection against harmful interference in a residential installation. This equipment generates, uses and can radiate radio frequency energy and, if not installed and used in accordance with the instructions, may cause harmful interference to radio or television reception, which can be determined by turning the equipment off and on. The user is encouraged to try to correct the interference by one or more of the following measures:
 - Reorient or relocate the receiving antenna.
 - Increase the separation between the equipment and the receiver.
 - Connect the equipment into an outlet on a circuit different from that to which the receiver is connected.
 - Consult the dealer or an experienced radio/TV technician for help.

WARNING

- Risk of fire or electric shock. LED Retrofit Kit installation requires knowledge of luminaires electrical systems. If not qualified, do not attempt installation. Contact a qualified electrician.
- Disconnect power at fuse or circuit breaker before installing or servicing.
- No user serviceable parts inside. To avoid electrical shock, do not disassemble product.
 - This product is not intended for use in emergency light fixtures or exit signs. Not for use where exposed directly to the weather or water.
 - This product contains a chemical known to the state of California to cause cancer, birth defects or other reproductive harm.
- Risk of fire or electric shock. Install this kit only in luminaires that have the construction features and dimensions shown in the photographs and/or drawings.
- To prevent wiring damage or abrasion, do not expose wiring to edges of sheet metal or other sharp objects.
- Do not make or alter any open holes in an enclosure of wiring or electrical components during kit installation.
- Installers should not disconnect existing wires from lampholder terminals to make new connections at lampholder terminals. Instead installers should cut existing lampholder leads away from the lampholder and make new electrical connections to lampholder leads wire by employing applicable connectors.

PREPARATION

Before beginning assembly of product, make sure all parts are present. Compare parts with package contents list and hardware contents list. If any part is missing or damaged, do not attempt to assemble the product.

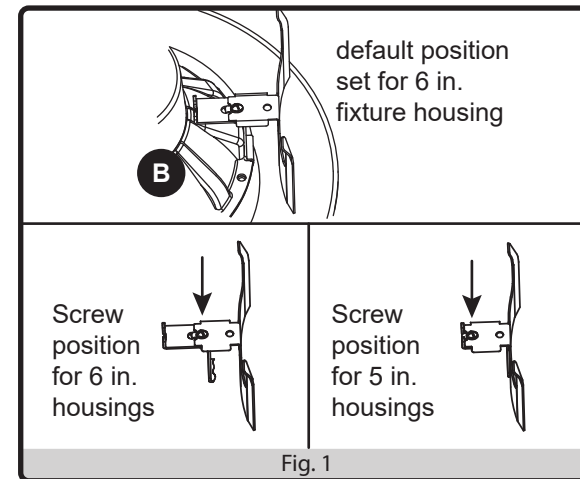
Estimated Assembly Time: 5 minutes

No tools are required for assembly.

INSTALLATION INSTRUCTIONS

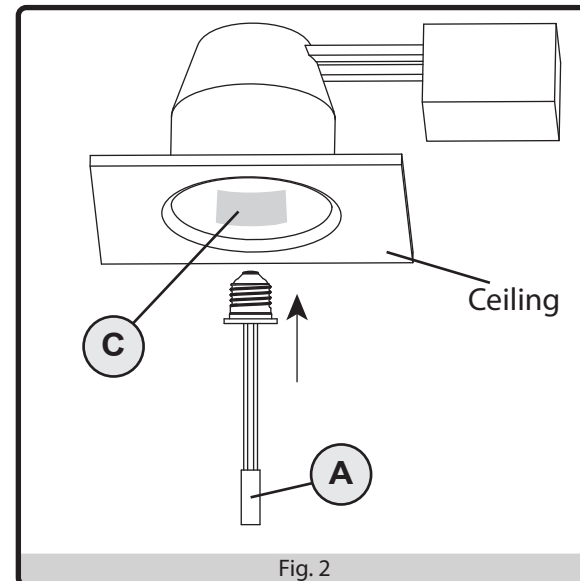
1. Make sure the power is turned off at the source to the recessed housing(s) where the fixture(s) will be installed.

The downlight is compatible with both 5 in. and 6 in. housing cans, the downlight is shipped to fit in 6 in. cans and will not need to be adjusted if the intended housing can is a 6 in. type. For 5 in. diameter cans, adjust the mounting jaws by removing the screw as shown, shift each bracket in and secure in place with the same screw.



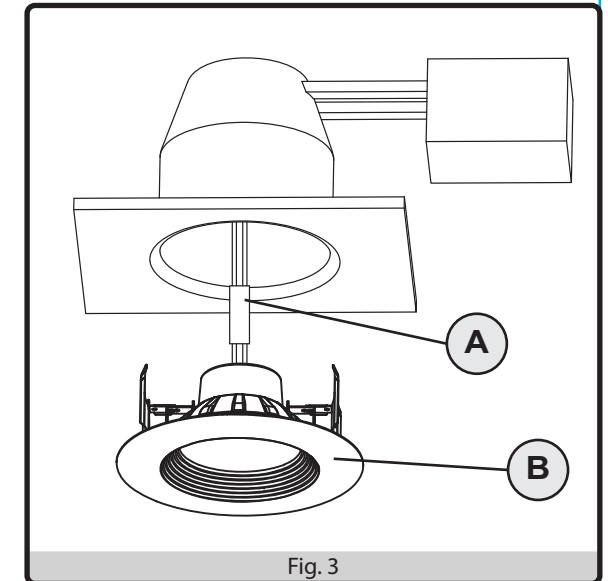
2. Apply the Lamp replacement instructions label (C) inside the housing, this label is to provide proper information for lamp replacement when necessary.

Screw adaptor (A) into socket in recessed housing.

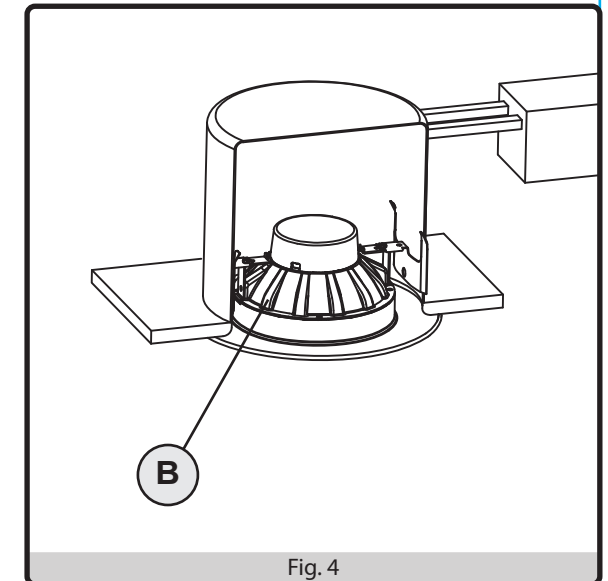


INSTALLATION INSTRUCTIONS

3. Plug base cable connector on adaptor (A) into lamp (B).



4. Carefully route wires into fixture and push recessed kit up flush to ceiling surface. Check the inner surface of the recessed can to see if there are any obstructions that may interfere with the downlight clips before pushing the downlight into the can, rotate the downlight to another position before pushing into can if necessary.



CARE AND MAINTENANCE

Clean with a mild, non-abrasive glass cleaner and soft cloth. Do NOT use solvents or cleaners containing abrasive agents. When cleaning the fixture, make sure the power is turned off, and any liquid spray should be applied to the cleaning cloth and not sprayed directly onto the fixture itself.

TROUBLESHOOTING

Problem	Possible Solution	Corrective Action
Fixture does not light.	1. Power is off. 2. Incorrect wire connection. 3. Defective wall switch.	1. Check circuit breaker or wall switch. 2. Check wire splices. 3. Replace switch.
Circuit breaker trips when light is turned on.	Crossed wires or power wire is grounded out.	Verify wires are correctly connected.

WARRANTY

This fixture is warranted to perform free from defects for five (5) years. If it fails to do so, you may return it with proof of purchase to 13445 12th St., Chino, CA 91710 for replacement.