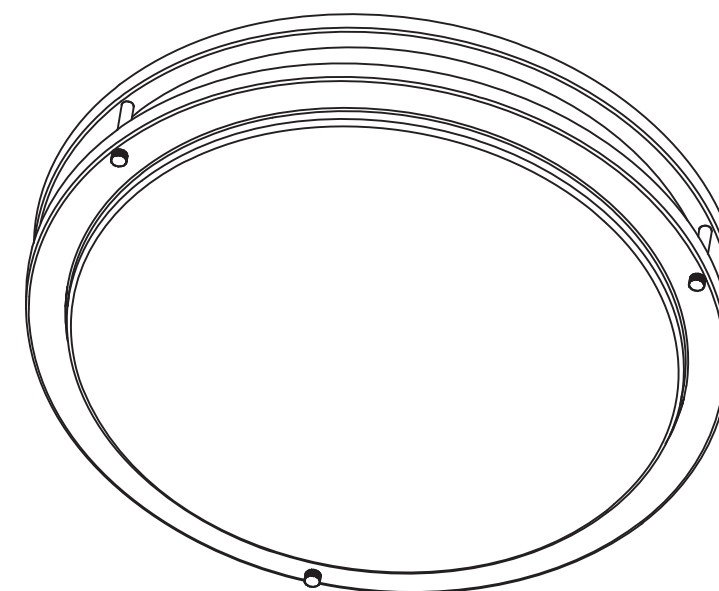




# Flushmount Ceiling Fixture

*Installation Instructions*

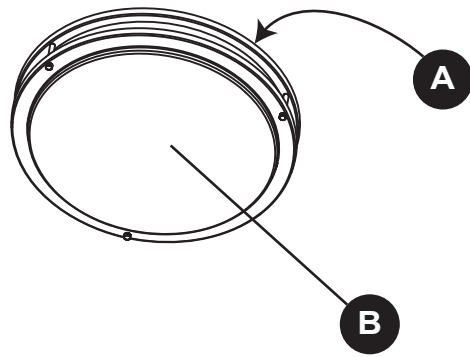


**ATTACH YOUR RECEIPT HERE**

Item Number \_\_\_\_\_ Purchase Date \_\_\_\_\_

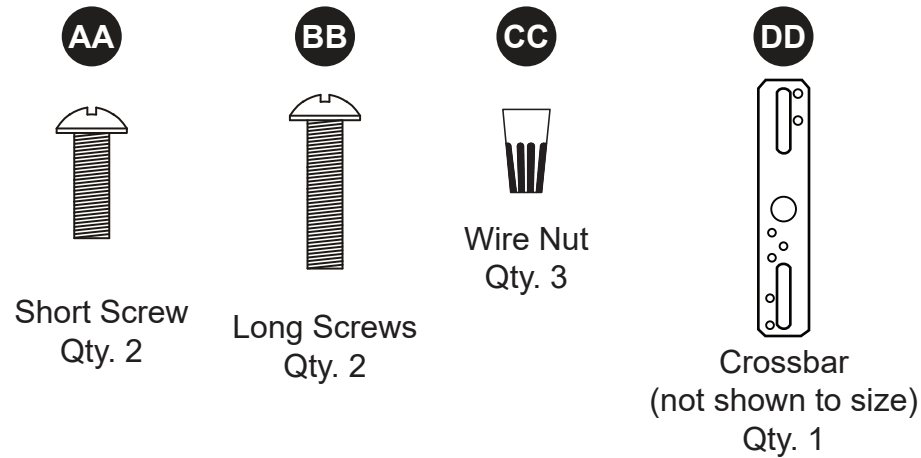
Questions, problems, missing parts? Before returning to your retailer, call our customer service department at 1-866-492-6566.

**PACKAGE CONTENTS**



Part	Item Name	Qty.
A	Fixture Pan (base)	1
B	Diffuser	1

**HARDWARE CONTENTS** (shown actual size)



**SAFETY INFORMATION**

Please read and understand this entire manual before attempting to assemble, operate or install the product. Failure to do so could lead to electric shock, fire or other injuries that could be hazardous or even fatal.

- Be sure the electricity to the wires you are working on is shut off. Either remove the fuse or turn off the circuit breaker.
- Changes or modifications not expressly approved by the party responsible for compliance could void the user's authority to operate the equipment.
- This fixture can be used with most dimmers to create your desired ambience with smooth dimming down to 10% of full light output.

**CAUTION:**

- The fixture body is one piece. Do not disassemble it.

**NOTICE**

- This device complies with Part 15 of the FCC Rules. Operation is subject to the following two conditions: (1) This device may not cause harmful interference, and (2) this device must accept any interference received, including interference that may cause undesired operation.

**SAFETY INFORMATION**

**NOTICE**

- This equipment has been tested and found to comply with the limits for a Class B digital device, pursuant to part 15 of the FCC Rules. These limits are designed to provide reasonable protection against harmful interference in a residential installation. This equipment generates, uses and can radiate radio frequency energy and, if not installed and used in accordance with the instructions, may cause harmful interference to radio or television reception, which can be determined by turning the equipment off and on. The user is encouraged to try to correct the interference by one or more of the following measures:
  - Reorient or relocate the receiving antenna.
  - Increase the separation between the equipment and the receiver.
  - Connect the equipment into an outlet on a circuit different from that to which the receiver is connected.
  - Consult the dealer or an experienced radio/TV technician for help.

**PREPARATION**

Before beginning assembly of product, make sure all parts are present. Compare parts with package contents list and hardware contents list. If any part is missing or damaged, do not attempt to assemble the product.

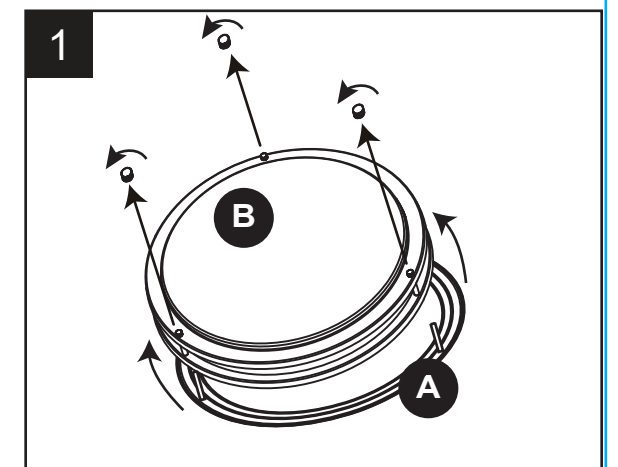
**Estimated Assembly Time:** 15 minutes

Tools Required for Assembly (not included): Phillips Screwdriver

**INSTALLATION INSTRUCTIONS**

Before beginning installation, ensure that power is disconnected to the building supply wires.

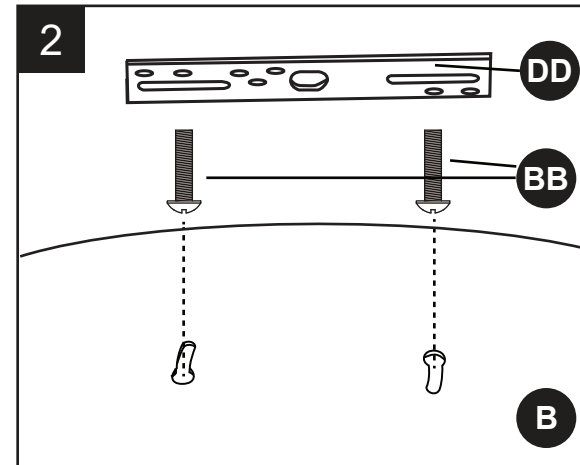
1. Unscrew the three nuts on the front diffuser by turning counter-clockwise (B) and remove the front diffuser from the fixture pan (A), and set aside the front diffuser (B) and hardware.



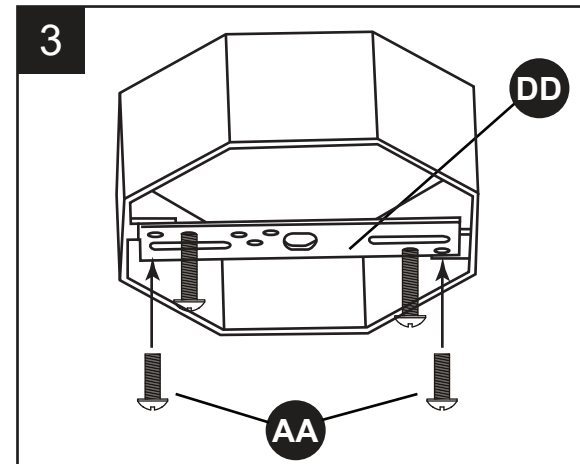
## INSTALLATION INSTRUCTIONS

2. Align two of the threaded holes on crossbar (DD) over one set of keyhole slots on the fixture pan (B). From the inside of fixture pan (B), insert long screws (BB) into aligned holes, leaving about 3/4 in. of space between the screw heads and crossbar (DD).

**Note:** Do not install fixture pan (B) yet.

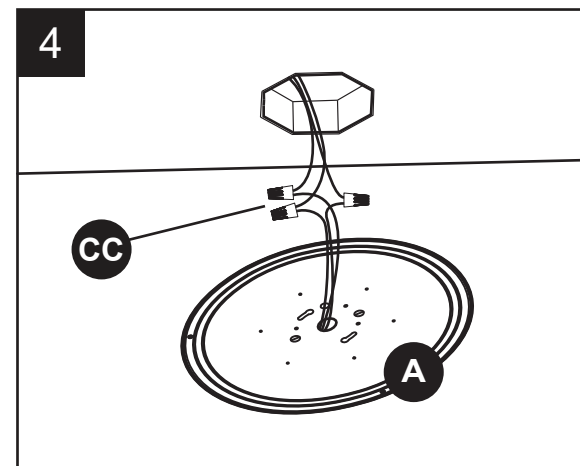


3. Attach crossbar (DD) to outlet box (not included) using short screws (AA).



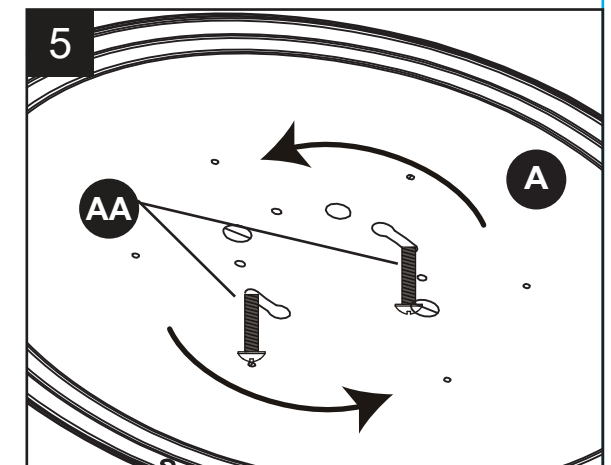
4. Connect the fixture wires to the supply wires -- black to black, white to white, and green to copper/bare. **WARNING:** If there is no ground supply wire, stop installation and consult a qualified electrician.

Once wire connections are made, secure each with a wire nut (CC).

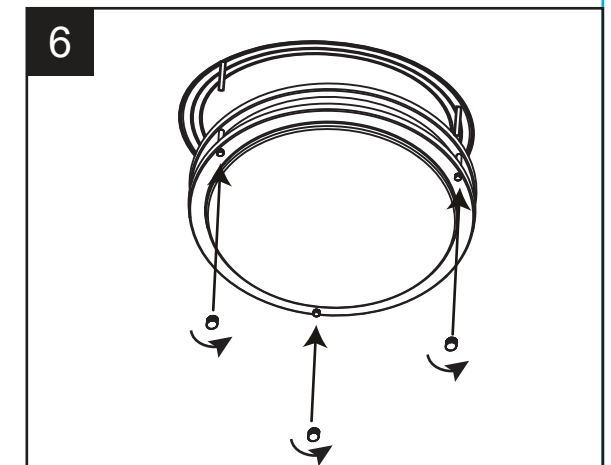


## INSTALLATION INSTRUCTIONS

5. Lift fixture pan (A) up toward ceiling and carefully tuck wires into outlet box. Align keyholes on fixture pan (A) with screws (AA), then twist fixture pan until the screws engage the narrow end of the keyholes. Tighten screws (AA) to secure the fixture pan to the mounting surface.



6. Reinstall the front diffuser (B) back onto the mounted fixture pan (A) using the three nuts, tightening until diffuser is secure to the fixture pan.



## CARE AND MAINTENANCE

Clean with a mild, non-abrasive glass cleaner and soft cloth. Do NOT use solvents or cleaners containing abrasive agents. When cleaning the fixture, make sure the power is turned off, and any liquid spray should be applied to the cleaning cloth and not sprayed directly onto the fixture itself.

**TROUBLESHOOTING**

PROBLEM	POSSIBLE CAUSE	CORRECTIVE ACTION
Fixture does not light.	1. Power is off. 2. Incorrect wire connection. 3. Defective wall switch.	1. Check circuit breaker or wall switch. 2. Check wire splices. 3. Replace switch.
Circuit breaker trips when light is turned on.	Crossed wires or power wire is grounded out.	Verify wires are correctly connected.

**WARRANTY**

This fixture is warranted to perform free from defects for five (5) years. If it fails to do so, you may return it with proof of purchase to 13445 12th St., Chino, CA 91710 for replacement.