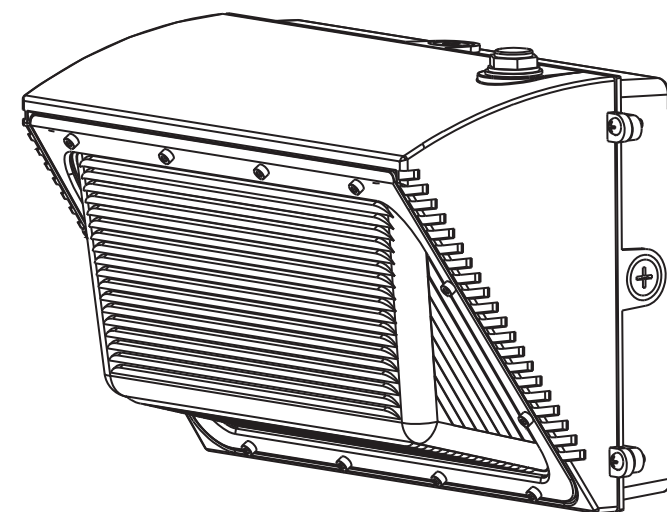




LED Standard Wall Pack

Installation Instructions

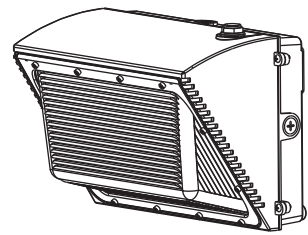


ATTACH YOUR RECEIPT HERE

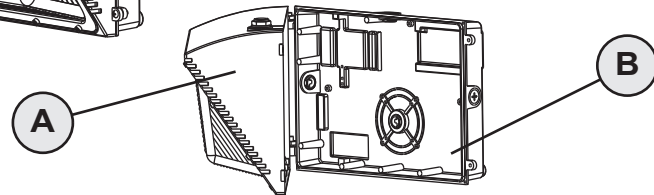
Item Number _____ Purchase Date _____

Questions, problems, missing parts? Before returning to your retailer, call our customer service department at 1-866-492-6566.

PACKAGE CONTENTS



Part	Item Name	Qty.
A	Lens Front Cover	1
B	Back Plate	1



HARDWARE CONTENTS

AA



Wire Nuts
Qty. 3

BB



Junction Box
Screws
Qty. 4

SAFETY INFORMATION

Please read and understand this entire manual before attempting to assemble, operate or install the product. Failure to do so could lead to electric shock, fire or other injuries that could be hazardous or even fatal.

- Be sure the electricity to the wires you are working on is shut off. Either remove the fuse or turn off the circuit breaker.
- Changes or modifications not expressly approved by the party responsible for compliance could void the user's authority to operate the equipment.
- This product must be installed in accordance with local, state and national electrical codes.
- Installation work shall be completed by a licensed installer that is familiar with the construction and operations of the product.

CAUTION:

- The fixture components are secured and installation does not require the removal of internal parts.
- Models E2WPA36L and E2WPA60L can only be dimmed when installed with a 0-10v dimming system.
- Model E2WPA90L CANNOT be dimmed, do not install this model on dimming circuit.

NOTICE

- This device complies with Part 15 of the FCC Rules. Operation is subject to the following two conditions: (1) This device may not cause harmful interference, and (2) this device must accept any interference received, including interference that may cause undesired operation.

SAFETY INFORMATION

- This equipment has been tested and found to comply with the limits for a Class B digital device, pursuant to part 15 of the FCC Rules. These limits are designed to provide reasonable protection against harmful interference in a residential installation. This equipment generates, uses and can radiate radio frequency energy and, if not installed and used in accordance with the instructions, may cause harmful interference to radio or television reception, which can be determined by turning the equipment off and on. The user is encouraged to try to correct the interference by one or more of the following measures:
 - Reorient or relocate the receiving antenna.
 - Increase the separation between the equipment and the receiver.
 - Connect the equipment into an outlet on a circuit different from that to which the receiver is connected.
 - Consult the dealer or an experienced radio/TV technician for help.
- This Class B digital apparatus complies with Canadian ICES-003.

PREPARATION

Before beginning assembly of product, make sure all parts are present. Compare parts with package contents list and hardware contents list. If any part is missing or damaged, do not attempt to assemble the product.

Estimated Assembly Time: 20 minutes.

Tools Required for Assembly (not included): Phillips screwdriver, flathead screwdriver, safety glasses, power drill and bits.

INSTALLATION INSTRUCTIONS

To ensure a safe and proper installation, an assistant should be available during the installation to support the fixture assembly while work is performed during mounting and wiring of the fixture. Before beginning installation, ensure that power is disconnected to the supply wires.

1. Remove the two screws on one side of the fixture housing and set aside.

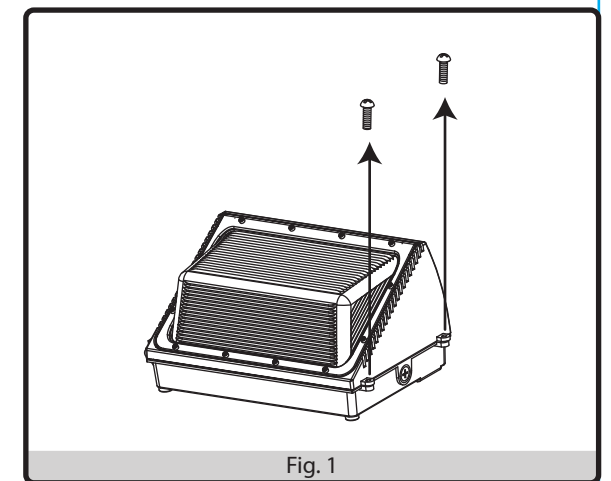
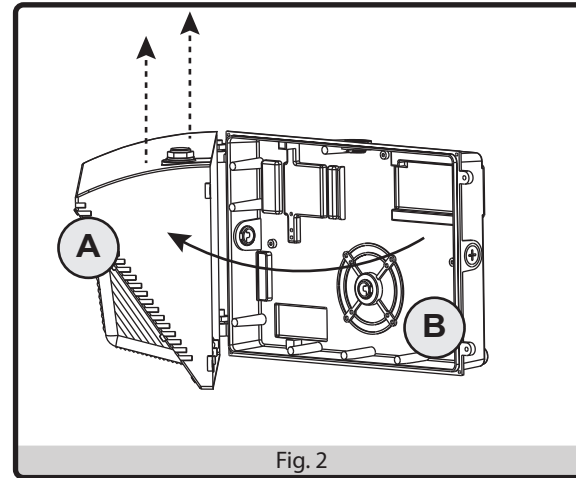


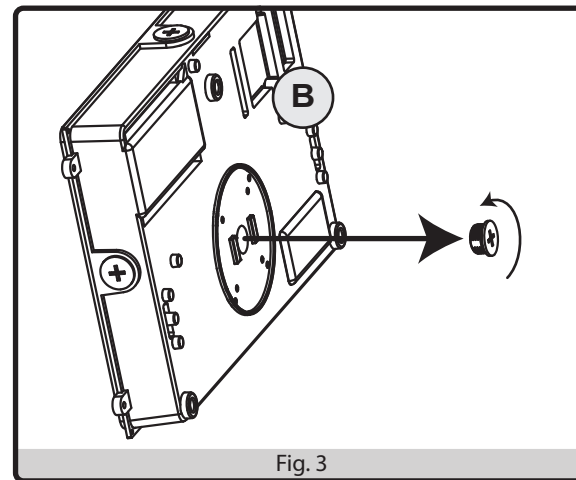
Fig. 1

INSTALLATION INSTRUCTIONS

- Swing the lens front cover (A) open and slide the lens cover off the two hinges in the direction as shown, set aside the lens cover.

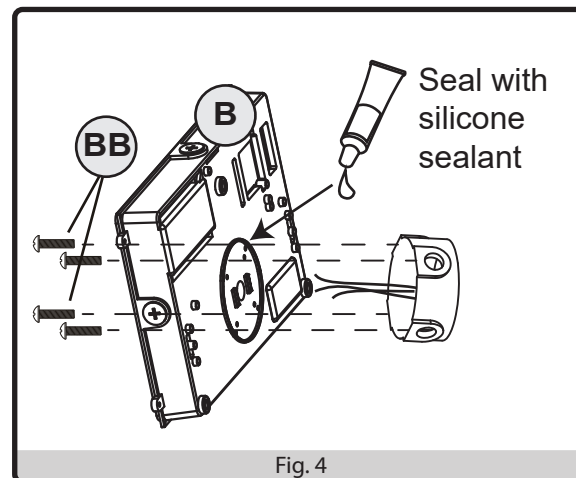


- Turn out the through hole plug at the center of the junction box mating face by using a philips head screwdriver (not included).



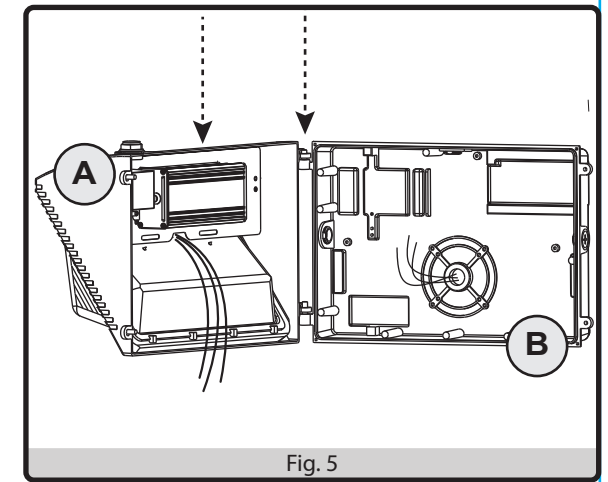
- Align the junction box to the housing pattern moulding and determine the appropriate set of mounting through-holes to drill out for the junction box screws (BB) used to secure the fixture to the mounting surface.

Prior to mounting the back plate to the mounting surface, apply silicon sealant (not provided) around the perimeter of the junction box to seal out water from entering the wiring compartment. Feed the supply lines from the junction box to the inner side of the back plate (B). Line up the junction box mounting holes on the back plate (B) to the threaded holes on the junction box and secure the plate to the wall with the four junction box screws (BB).



INSTALLATION INSTRUCTIONS

- Replace the front cover (A) onto the back plate (B) secured through the two side hinge receivers, ensure that the front cover (A) is secured prior to releasing hold of the front cover (A).



- Ensure that power is shut off and connect the supply wires to the fixture wires -- black to black, white to white, and green to copper/bare.

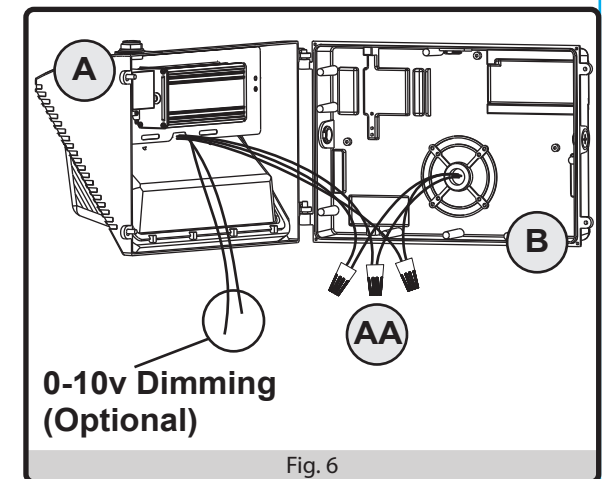
WARNING: If there is no ground supply wire, stop installation and consult a qualified electrician.

Once wire connections are made, secure each with a wire nut (AA).

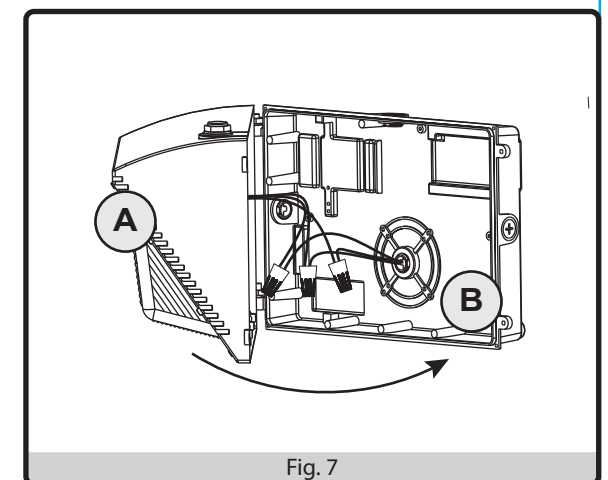
For models E2WPA36L and E2WPA60L:

OPTIONAL: If fixture is to be used with a 0-10v dimming system, connect the purple and gray leads to the respective purple and gray dimming leads.

CAUTION: Dimming leads can only be used with low voltage DC voltages within 0-10Vdc. Connecting these wires to AC or higher voltages will damage driver and may render fixture inoperable.

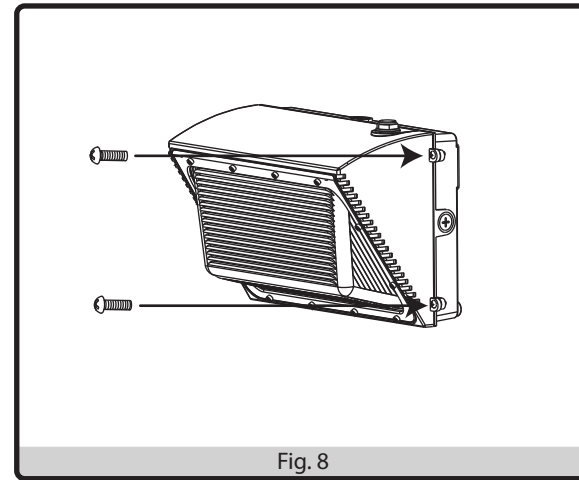


- Tuck the wires and wire nuts (AA) inside the fixture compartment while closing the front cover (A). Ensure that wires are not pinched along the perimeter seam, and that the gasket around the edge is not out of place.



INSTALLATION INSTRUCTIONS

8. Close the lens front cover and reinstall the two screws on one side of the fixture housing to complete the installation.



CARE AND MAINTENANCE

Clean with a mild, non-abrasive glass cleaner. Do NOT use solvents or cleaners containing abrasive agents. Although the fixture is suitable for use in outdoor wet locations, do NOT use high pressure washer spray to clean fixture.

TROUBLESHOOTING

Problem	Possible Solution	Corrective Action
Fixture does not light.	1. Power is off. 2. Incorrect wire connection. 3. Defective wall switch.	1. Check circuit breaker or wall switch. 2. Check wire splices. 3. Replace switch.
Circuit breaker trips when light is turned on.	Crossed wires or power wire is grounded out.	Verify wires are correctly connected.

WARRANTY

This fixture is warranted to perform free from defects for five years. If it fails to do so, you may return it with proof of purchase to 13445 12th St., Chino, CA 91710 for replacement.