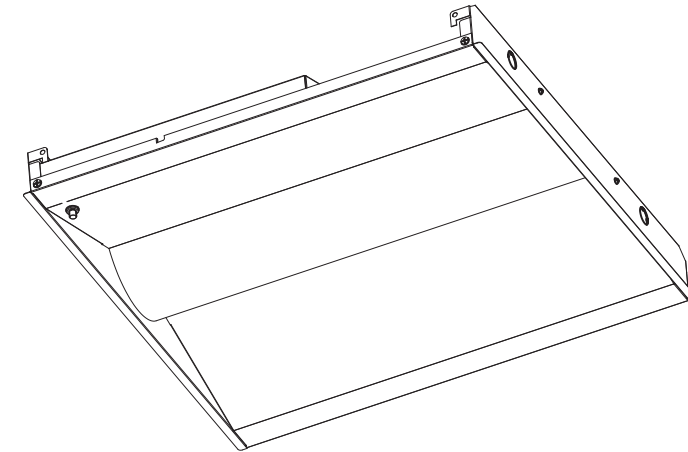




CCT & Wattage Selectable LED Troffer Fixture

Installation Instructions

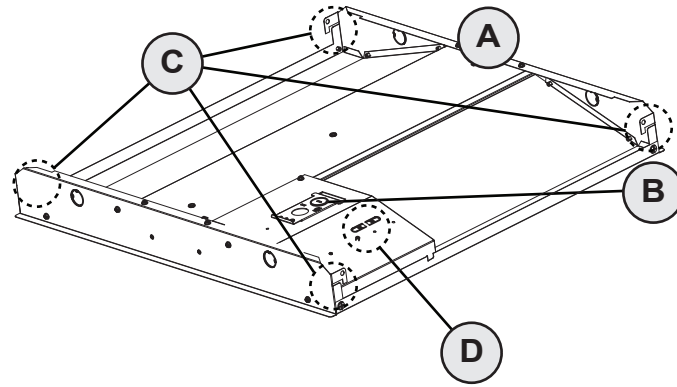


ATTACH YOUR RECEIPT HERE

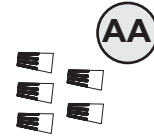
Item Number _____ Purchase Date _____

Questions, problems, missing parts? Before returning to your retailer, call our customer service department at 1-866-492-6566.

PACKAGE CONTENTS



Part	Item Name	Qty.
A	Troffer fixture	1
B	Wiring access panel	1
C	Safety hooks	4
D	CCT & wattage selection switch	1
AA	Wire Nuts	5



SAFETY INFORMATION

Please read and understand this entire manual before attempting to assemble, operate or install the product. Failure to do so could lead to electric shock, fire or other injuries that could be hazardous or even fatal.

- Be sure the electricity to the wires you are working on is shut off. Either remove the fuse or turn off the circuit breaker.
- Changes or modifications not expressly approved by the party responsible for compliance could void the user's authority to operate the equipment.

CAUTION:

- This product can only be dimmed with a 0-10 Volt dimming system.
- This product must be installed in accordance with local, state and national electrical codes.
- Installation work shall be completed by a licensed installer that is familiar with the construction and operations of the product.

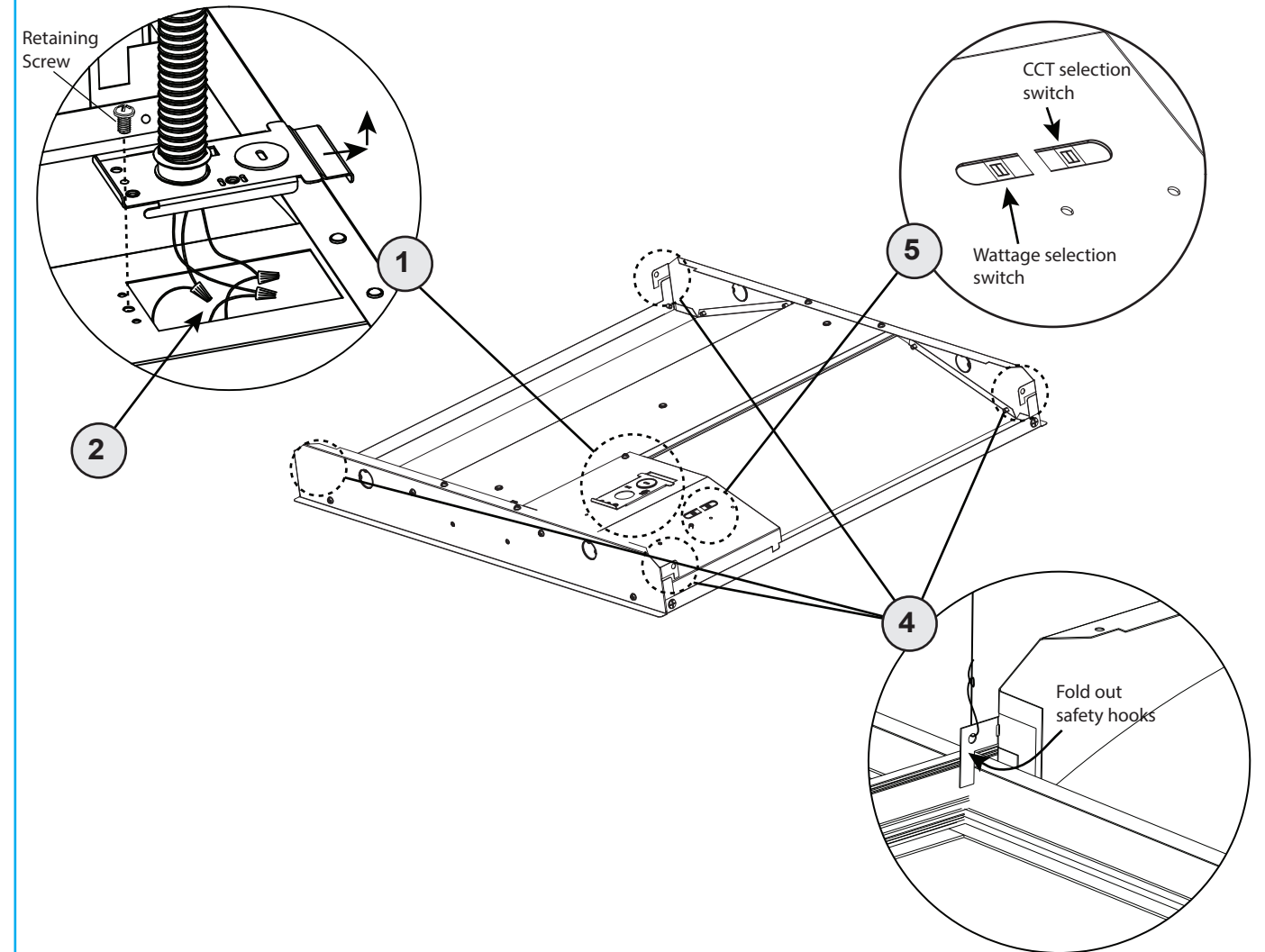
NOTICE

- This device complies with Part 15 of the FCC Rules. Operation is subject to the following two conditions: (1) This device may not cause harmful interference, and (2) this device must accept any interference received, including interference that may cause undesired operation.

This equipment has been tested and found to comply with the limits for a Class B digital device, pursuant to part 15 of the FCC Rules. These limits are designed to provide reasonable protection against harmful interference in a residential installation. This equipment generates, uses and can radiate radio frequency energy and, if not installed and used in accordance with the instructions, may cause harmful interference to radio or television reception, which can be determined by turning the equipment off and on. The user is encouraged to try to correct the interference by one or more of the following measures:

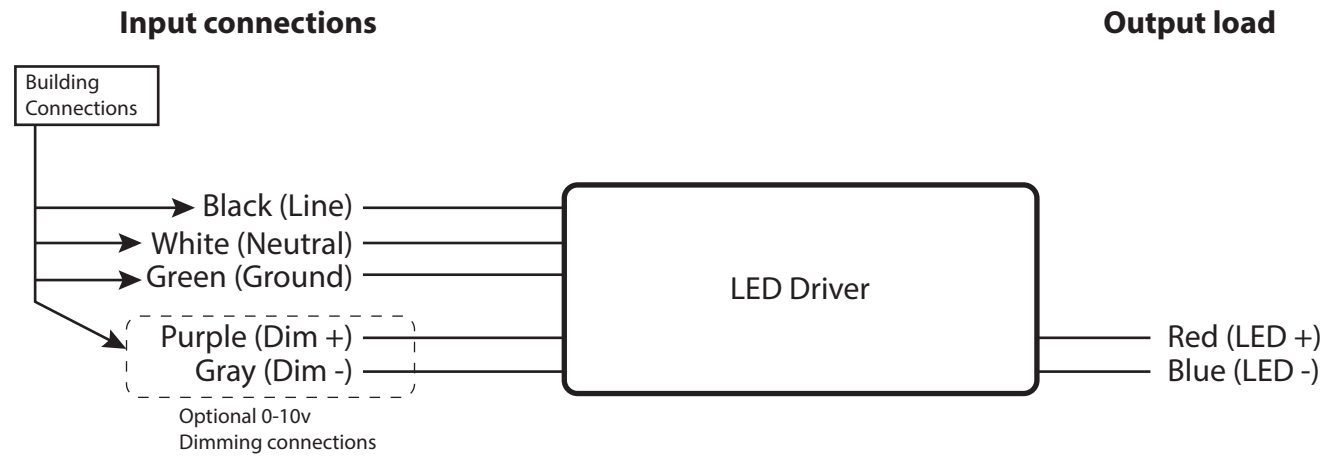
- Reorient or relocate the receiving antenna.
- Increase the separation between the equipment and the receiver.
- Connect the equipment into an outlet on a circuit different from that to which the receiver is connected.
- Consult the dealer or an experienced radio/TV technician for help.

INSTALLATION INSTRUCTIONS



- 1 Remove wiring access panel (B) by backing out retaining screw, and sliding panel across face before lifting up.
- 2 Make appropriate connections using available knockouts on wiring access panel and conduit adapters (not provided). Use wirenuts to connect the appropriate input leads as shown in the following section. Connect optional low voltage DC dimming wires if desired, otherwise, leave insulated.
- 3 Reassemble wiring access panel by reverse process in step 2 and then step 1.
- 4 Fold out all safety hooks so that they overlap the T-bar structure. Loop appropriate safety cable (not provided) in accordance with the local, state, and national building codes.
- 5 Select the desired color temperature (CCT) by using the CCT selection switch on the wiring compartment enclosure by setting the switch position to the desired CCT value as marked. The overall fixture wattage may also be set by using the wattage selection switch by setting the switch position to the desired wattage value as marked.

WIRING DIAGRAM



MAINTENANCE AND CARE

Clean with a mild, non-abrasive glass cleaner and soft cloth. Do NOT use solvents or cleaners containing abrasive agents. When cleaning the fixture, make sure the power is turned off, and any liquid spray should be applied to the cleaning cloth and not sprayed directly onto the fixture itself.

TROUBLESHOOTING

Problem	Possible Solution	Corrective Action
Fixture does not light.	<ol style="list-style-type: none"> 1. Power is off. 2. Incorrect wire connection. 3. Defective wall switch. 	<ol style="list-style-type: none"> 1. Check circuit breaker or wall switch. 2. Check wire splices. 3. Replace switch.
Circuit breaker trips when light is turned on.	Crossed wires or power wire is grounded out.	Verify wires are correctly connected.

WARRANTY

This fixture is warranted to perform free from defects for five (5) years. If it fails to do so, you may return it with proof of purchase to 13445 12th St., Chino, CA 91710 for replacement.