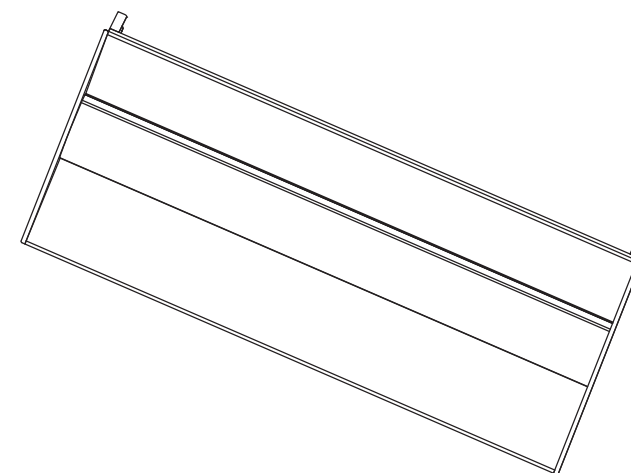




# LED Recessed Troffer

*Installation Instructions*

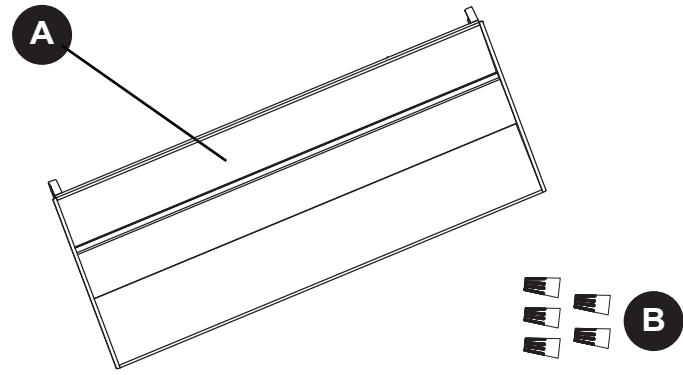


**ATTACH YOUR RECEIPT HERE**

Item Number \_\_\_\_\_ Purchase Date \_\_\_\_\_

Questions, problems, missing parts? Before returning to your retailer, call our customer service department at 1-866-492-6566.

## PACKAGE CONTENTS



Part	Item Name	Qty.
A	Troffer Fixture	1
B	Wire Nuts	5

## SAFETY INFORMATION

Please read and understand this entire manual before attempting to assemble, operate or install the product. Failure to do so could lead to electric shock, fire or other injuries that could be hazardous or even fatal.

- Be sure the electricity to the wires you are working on is shut off. Either remove the fuse or turn off the circuit breaker.
- Changes or modifications not expressly approved by the party responsible for compliance could void the user's authority to operate the equipment.

### CAUTION:

- This product can only be dimmed with a 0-10 Volt dimming system.

### NOTICE

- This device complies with Part 15 of the FCC Rules. Operation is subject to the following two conditions: (1) This device may not cause harmful interference, and (2) this device must accept any interference received, including interference that may cause undesired operation.
- This equipment has been tested and found to comply with the limits for a Class B digital device, pursuant to part 15 of the FCC Rules. These limits are designed to provide reasonable protection against harmful interference in a residential installation. This equipment generates, uses and can radiate radio frequency energy and, if not installed and used in accordance with the instructions, may cause harmful interference to radio or television reception, which can be determined by turning the equipment off and on. The user is encouraged to try to correct the interference by one or more of the following measures:
  - Reorient or relocate the receiving antenna.
  - Increase the separation between the equipment and the receiver.
  - Connect the equipment into an outlet on a circuit different from that to which the receiver is connected.
  - Consult the dealer or an experienced radio/TV technician for help.

## SAFETY INFORMATION

### WARNING

- To prevent wiring damage or abrasion, do not expose wiring to edges of sheet metal or other sharp objects.
- Do not make or alter any open holes in an enclosure of wiring or electrical components during installation.
- Access above ceiling required.
- Type IC suitable installations.
- Inherently protected.
- Suitable for damp locations.
- Blinking light of this thermally protected luminaire may indicate overheating.
- Vapor barrier must be suitable for 90°C.
- This product must be installed in accordance with the applicable installation code by a person familiar with the construction and operation of the product and the hazards involved.

## PREPARATION

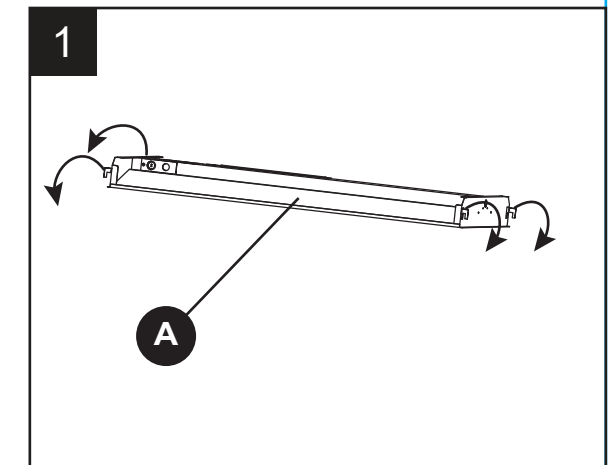
Before beginning assembly of product, make sure all parts are present. Compare parts with package contents list and hardware contents list. If any part is missing or damaged, do not attempt to assemble the product.

**Estimated Assembly Time:** 20 minutes

## INSTALLATION INSTRUCTIONS

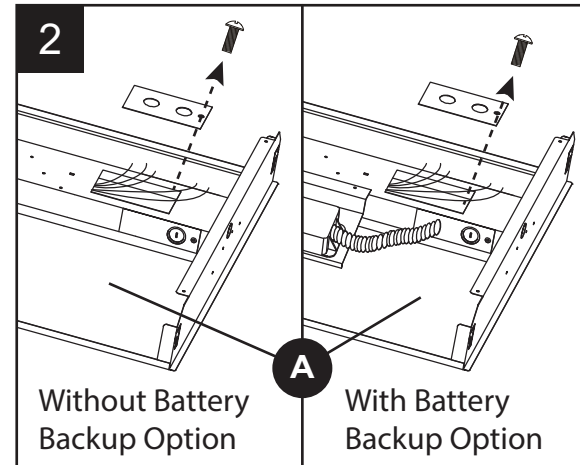
1. Ensure that the power to existing fixture has been shut off before proceeding with the installation of this fixture.

Fold out the seismic safety clips/hooks on all 4 corners of the troffer fixture (A).

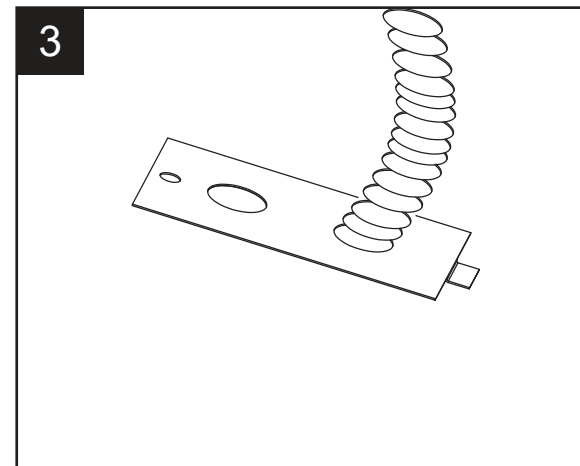


INSTALLATION INSTRUCTIONS

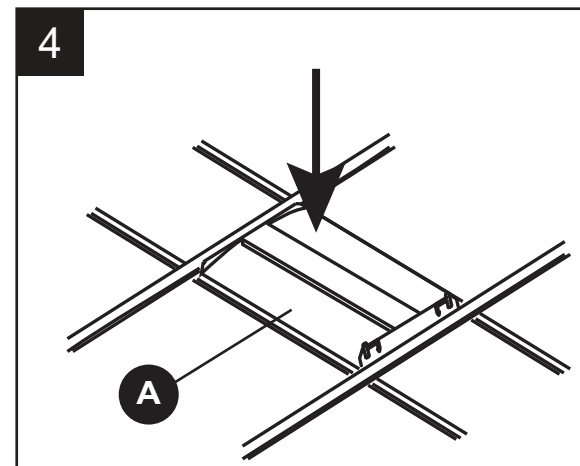
2. Locate the Driver Compartment access panel and remove the screw to gain access to the wiring compartment, set screw aside.



3. Route building supply wires through access panel knock out and secure conduit to access panel with adapter (not supplied).



4. Pass the entire fixture above the suspended ceiling grid and align the fixture so that the perimeter of front lens sits flush and secure on the T-grid lip. Safety wire anchors are located at each corner, loop safety wires through each anchor and secure to building structure.

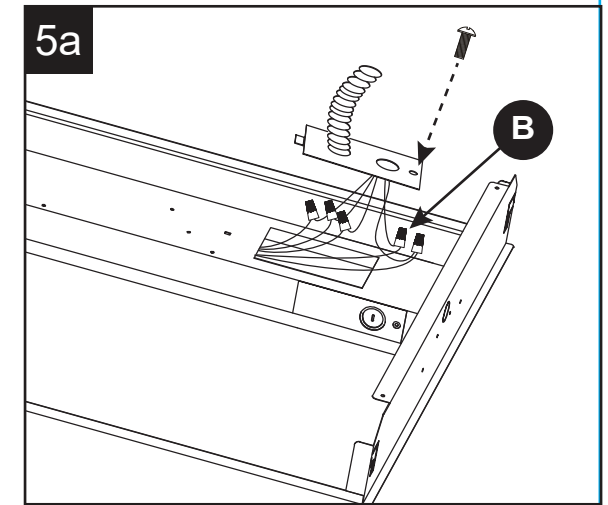


INSTALLATION INSTRUCTIONS

5a. **Without battery backup option:** If fixture dimming is to be used, connect 0-10 V dimming wires to violet and gray dimming controller wires.

Connect the fixture wires to the supply wires - black to black (Line), white to white (Neutral), and green to green (Ground).

Once wire connections are made, secure each with a wire nut (B). Replace the Driver Compartment access panel and secure the panel with screw.

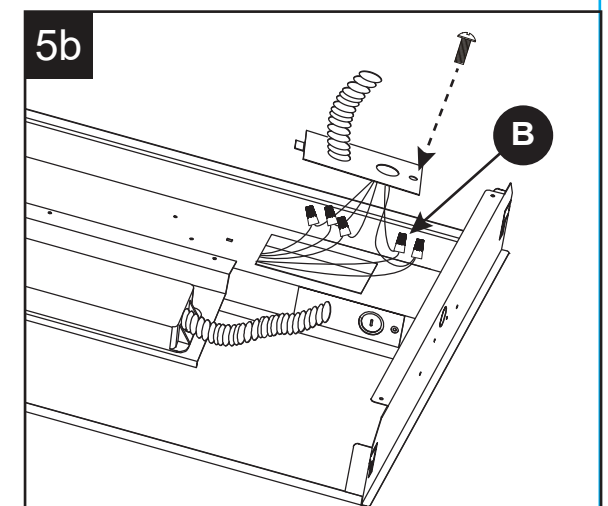


5b. **With Fullham™ battery backup option:** If fixture dimming is to be used, connect 0-10 V dimming wires to violet and gray dimming controller wires.

Make the following wire connections:

- \*White unstranded solid wire to building neutral supply
- \*Black unstranded solid wire to building hot supply
- \*Black stranded wire to either switched or unswitched building hot supply
- \*Yellow/Green to building ground

Once wire connections are made, secure each with a wire nut (B). Replace the Driver Compartment access panel and secure the panel with screw.

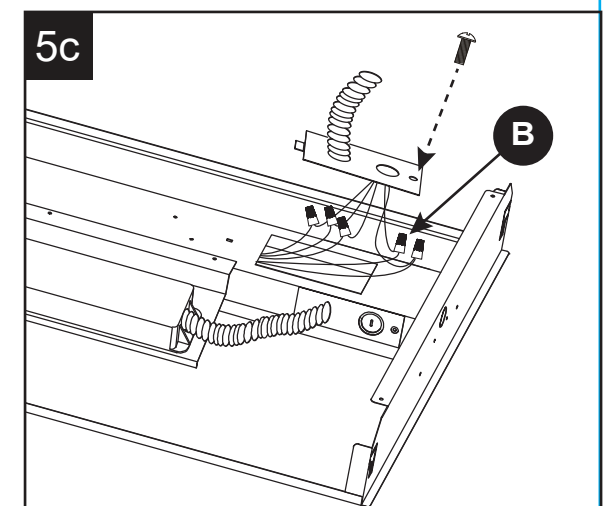


5c. **With IOTA™ battery backup option:** If fixture dimming is to be used, connect 0-10 V dimming wires to violet and gray dimming controller wires.

Make the following wire connections:

- \*Black/White unstranded solid wire to building neutral supply
- \*White unstranded solid wire to building neutral supply as above Black/White wire, however, if building has a second Neutral supply for unswitched source, connect White to unswitched neutral source
- \*Orange/Black unstranded solid wire to unswitched building hot supply
- \*Black stranded wire to switched or unswitched building hot supply
- \*Yellow/Green to building ground

Once wire connections are made, secure each with a wire nut (B). Replace the Driver Compartment access panel and secure the panel with screw.



#### MAINTENANCE AND CARE

Clean with a mild, non-abrasive glass cleaner and soft cloth. Do NOT use solvents or cleaners containing abrasive agents. When cleaning the fixture, make sure the power is turned off, and any liquid spray should be applied to the cleaning cloth and not sprayed directly onto the fixture itself.

#### TROUBLESHOOTING

Problem	Possible Solution	Corrective Action
Fixture does not light.	1. Power is off. 2. Incorrect wire connection. 3. Defective wall switch.	1. Check circuit breaker or wall switch. 2. Check wire splices. 3. Replace switch.
Circuit breaker trips when light is turned on.	Crossed wires or power wire is grounded out.	Verify wires are correctly connected.

#### WARRANTY

This fixture is warranted to perform free from defects for five (5) years. If it fails to do so, you may return it with proof of purchase to 13445 12th St., Chino, CA 91710 for replacement.