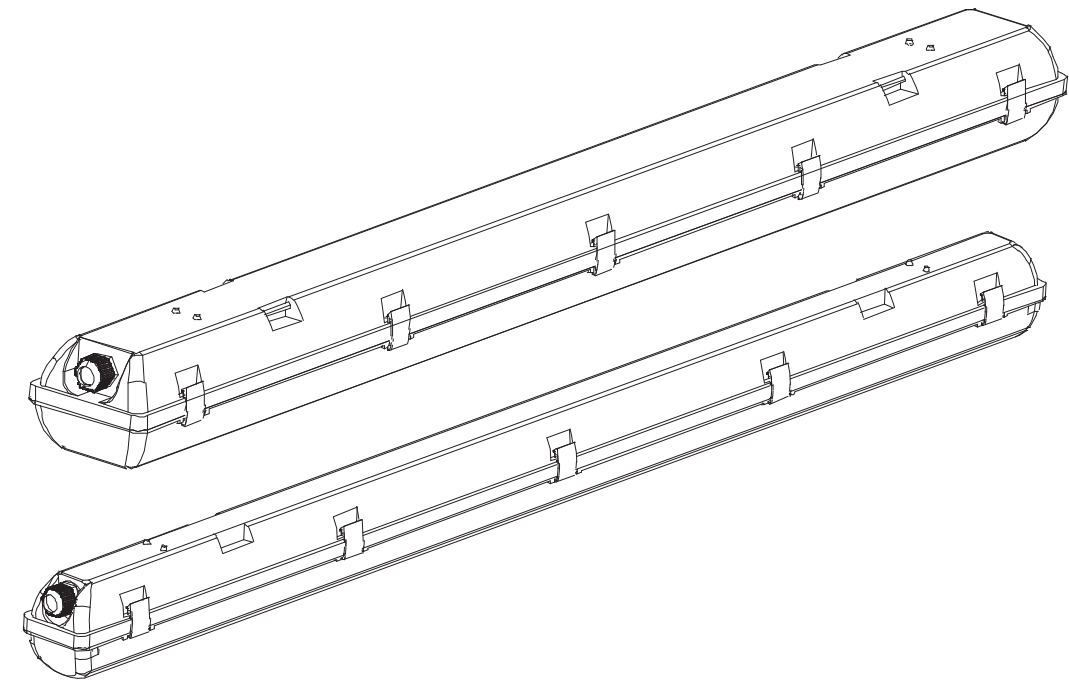




# Vapor Tight Fixture

*Installation Instructions*

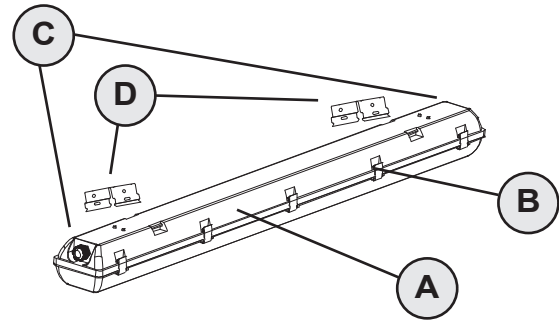


**ATTACH YOUR RECEIPT HERE**

Item Number \_\_\_\_\_ Purchase Date \_\_\_\_\_

Questions, problems, missing parts? Before returning to your retailer, call our customer service department at 1-866-492-6566.

**PACKAGE CONTENTS**



Part	Item Name	Qty.
A	Fixture	1
B	Lens release latch	10
C	Conduit opening	2
D	Mounting adapter clip	2

**SAFETY INFORMATION**

Please read and understand this entire manual before attempting to assemble, operate or install the product. Failure to do so could lead to electric shock, fire or other injuries that could be hazardous or even fatal.

- Be sure the electricity to the wires you are working on is shut off. Either remove the fuse or turn off the circuit breaker.
- Changes or modifications not expressly approved by the party responsible for compliance could void the user's authority to operate the equipment.
- This product must be installed in accordance with local, state and national electrical codes.
- Installation work shall be completed by a licensed installer that is familiar with the construction and operations of the product.

**CAUTION:**

- This product can NOT be used with a dimmer switch.

**NOTICE**

- This device complies with Part 15 of the FCC Rules. Operation is subject to the following two conditions: (1) This device may not cause harmful interference, and (2) this device must accept any interference received, including interference that may cause undesired operation.
- This equipment has been tested and found to comply with the limits for a Class B digital device, pursuant to part 15 of the FCC Rules. These limits are designed to provide reasonable protection against harmful interference in a residential installation. This equipment generates, uses and can radiate radio frequency energy and, if not installed and used in accordance with the instructions, may cause harmful interference to radio or television reception, which can be determined by turning the equipment off and on. The user is encouraged to try to correct the interference by one or more of the following measures:
  - Reorient or relocate the receiving antenna.
  - Increase the separation between the equipment and the receiver.
  - Connect the equipment into an outlet on a circuit different from that to which the receiver is connected.
  - Consult the dealer or an experienced radio/TV technician for help.
- This Class B digital apparatus complies with Canadian ICES-003.

**INSTALLATION INSTRUCTIONS**

1. Open each of the lens release latch (B) and remove the lens.

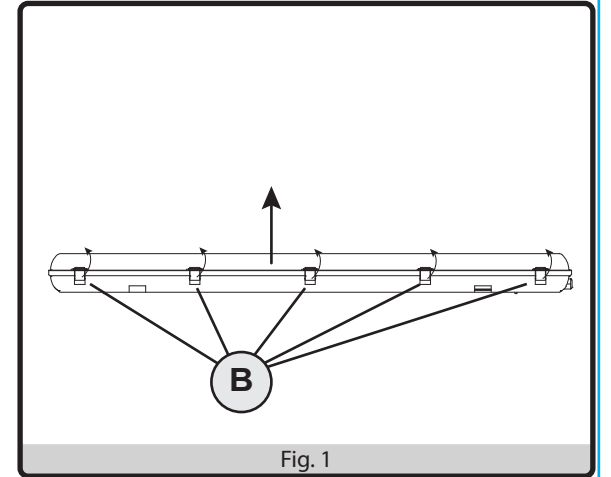


Fig. 1

2. Press the two LED panel retaining clips together while lifting up the LED panel to release the LED panel from the housing.

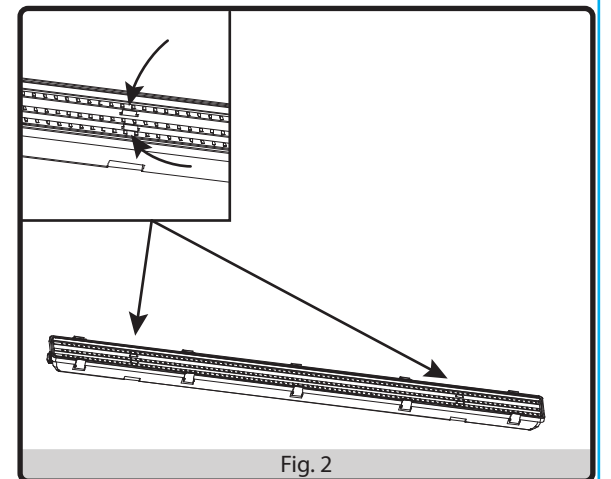


Fig. 2

3. Connect the supply cord wires by routing the cord or conduit through the adapter entrance into the driver compartment. Connect the Line (L), Neutral (N), and Ground (G) leads into the push-in slots as marked on the LED driver unit.

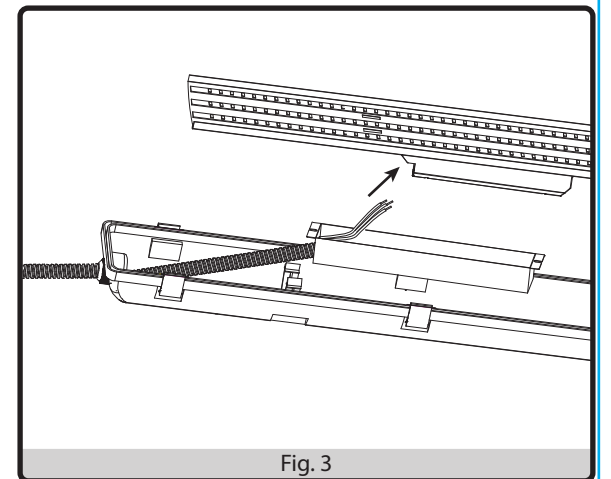
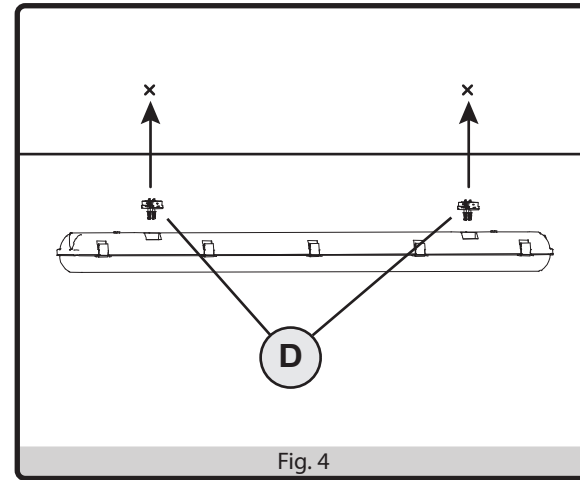


Fig. 3

## INSTALLATION INSTRUCTIONS

4. Measure the distance between the mounting adapter clips (D) and mark desired location on mounting surface. Drill and secure both mounting adapter clips onto mounting surface and secure the fixture by snap fitting the fixture over the mounting adapter clips.



## CARE AND MAINTENANCE

Clean with a mild, non-abrasive glass cleaner and soft cloth. Do NOT use solvents or cleaners containing abrasive agents. When cleaning the fixture, make sure the power is turned off, and any liquid spray should be applied to the cleaning cloth and not sprayed directly onto the fixture itself.

## DIMENSIONS

<p>4.73-in 3.35-in 49.73-in</p> <p>ELYVT-42C, ELYVT-42N</p>	<p>4.73-in 3.35-in 25.79-in</p> <p>ELYVT-22C, ELYVT-22N</p>
<p>3.15-in 3.35-in 49.73-in</p> <p>ELYVT-41C, ELYVT-41N</p>	<p>3.15-in 3.35-in 25.79-in</p> <p>ELYVT-21C, ELYVT-21N</p>

## TROUBLESHOOTING

Problem	Possible Solution	Corrective Action
Fixture does not light.	<ol style="list-style-type: none"> <li>1. Power is off.</li> <li>2. Incorrect wire connection.</li> <li>3. Defective wall switch.</li> </ol>	<ol style="list-style-type: none"> <li>1. Check circuit breaker or wall switch.</li> <li>2. Check wire splices.</li> <li>3. Replace switch.</li> </ol>
Circuit breaker trips when light is turned on.	Crossed wires or power wire is grounded out.	Verify wires are correctly connected.

## WARRANTY

This fixture is warranted to perform free from defects for five years. If it fails to do so, you may return it with proof of purchase to 13445 12th St., Chino, CA 91710 for replacement.